

SOLBERG® FOAM RATIO CONTROLLER (Between Flange)



FEATURES

- Compatible with all type foam concentrates
- Fresh or saltwater use
- Proportions at 1%, 3% or 6%
- Vertical or horizontal position for installation versatility
- Bronze construction for durability and performance

DESCRIPTION

SOLBERG® Ratio Controllers are modified venturi devices designed to meter the correct amount of foam concentrate into a water stream over a specified range of flow and pressure rates with minimal pressure loss. The ratio controller consists of three components: the body with water inlet, metering orifice located in the foam concentrate inlet, and throat (nozzle) located downstream from the water inlet. The ratio controller is manufactured in four sizes 3.0", 4.0", 6.0" and 8.0" (76 mm, 102 mm, 152 mm, 203 mm).

APPLICATION

SOLBERG Ratio Controllers are commonly used in bladder tank systems, balanced or inline balanced* pressure proportioning systems for aircraft hangars, loading racks, tank farms, and foam-water sprinkler systems.

SPECIFICATIONS

The SOLBERG Ratio Controller is designed for installation between two Class 150 flanges of the same nominal size as the ratio controller. The components are constructed of ASTM 85-5-5-5 bronze and the inlet is tapered and machined to a smooth finish to maximize water stream efficiency. The inlet nozzle and metering orifice are secured by a stainless steel retaining ring. The foam concentrate inlet has a female NPT thread and contains a foam concentrate metering orifice to proportion over the specified flow range without any manual adjustment. The SOLBERG Foam Ratio Controller is to be installed with a minimum of 5 pipe diameters of straight pipe both upstream and downstream of the proportioner.



CERTIFICATIONS

Underwriters Laboratories, Inc. (UL) Listed – Standard 162, FM Approved per Approval Standard 5130.

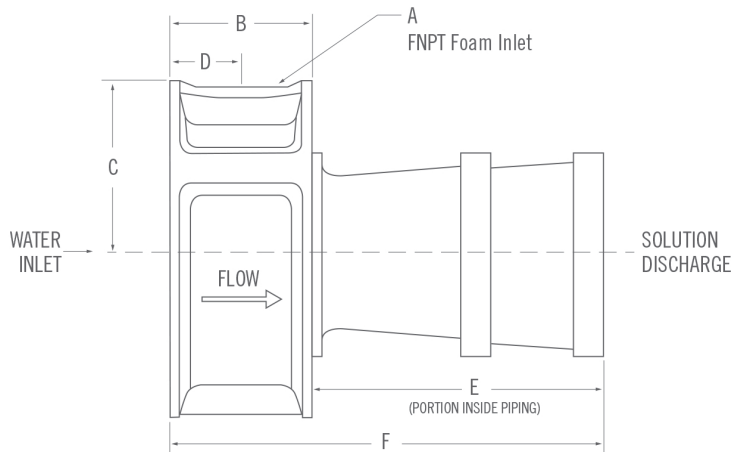
*Not an FM Approved Configuration

SOLBERG® FOAM RATIO CONTROLLER (Between Flange)

DIMENSIONAL INFORMATION

APPROXIMATE DIMENSIONS Inches (Millimeters)

MODEL	APPROXIMATE DIMENSIONS Inches (Millimeters)						STANDARD CONCENTRATE LINE SIZES
	A	B	C	D	E	F	
3.0" SRCW	1.25 (32)	2.38 (60)	2.63 (67)	1.25 (32)	3.75 (95)	6.13 (156)	1.25
4.0" SRCW	1.50 (38)	2.63 (67)	3.38 (86)	1.31 (33)	5.38 (137)	8.00 (203)	1.50
6.0" SRCW	2.00 (51)	3.25 (83)	4.25 (108)	1.63 (41)	8.75 (222)	12.00 (305)	2.00
8.0" SRCW	2.50 (64)	3.50 (89)	5.25 (133)	1.75 (44)	8.50 (216)	12.00 (305)	2.50



Note: 1%, 3% or 6% proportioning and type of foam concentrate to be specified by customer.

FLOW RANGE

UL LISTED - NOMINAL FLOW

MODEL	CONFIGURATION	SOLBERG RE-HEALING™ RF3, 3% gpm (lpm)	SOLBERG ARCTIC™ 1% SP AFFF gpm (lpm)	SOLBERG ARCTIC 3% AFFF gpm (lpm)"	SOLBERG ARCTIC 3% MIL-SPEC AFFF gpm (lpm)"	SOLBERG ARCTIC 3x3% ATC gpm (lpm)"	SOLBERG VERSAGARD™ AS-100	SOLBERG RE-HEALING 3x3 SP-100
3.0" SRCW	Between Flange	169-690 (639-2612)	78-736 (295-2786)	93-768 (352-2907)	96-550 (363-2082)	206-812 (780-3074)	439-762 (1662-2884)	210-570 (794-2158)
4.0" SRCW	Between Flange	254-1390 (961-5262)	140-1360 (530-5148)	207-1532 (784-5799)	210-1335 (795-5053)	329-1530 (1245-5792)	478-1420 (1809-5375)	430-1371 (1628-5190)
6.0" SRCW	Between Flange	880-2726 (3331-10319)	388-2830 (1469-10713)	318-2680 (1204-10145)	295-2250 (1117-8516)	736-2667 (2786-10096)	1073-2824 (4062-10690)	870-2893 (3293-10951)
8.0" SRCW	Between Flange	1909-4718 (7223-17860)	630-4920 (2385-18624)	975-4355 (3691-16485)	975-4250 (3690-16086)	1670-4590 (6322-17375)	2209-4305 (8362-16296)	2324-5001 (8797-18930)

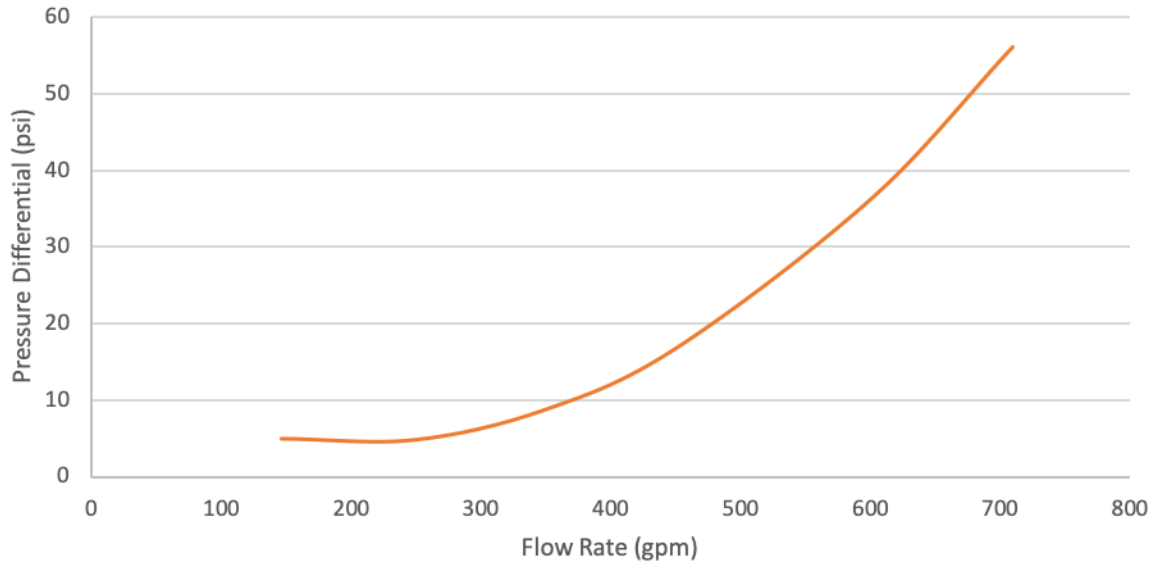
FM APPROVED - NOMINAL FLOW

MODEL	CONFIGURATION	SOLBERG RE-HEALING RF3, 3% gpm (lpm)	SOLBERG RE-HEALING 3X3 SP-100 gpm(lpm)	SOLBERG ARCTIC 3X3 ATC gpm (lpm)
3.0" SRCW	Between Flange	490-665 (1855-2517)	146-612 (552-2317)	206-785 (780-2971)
4.0" SRCW	Between Flange	700-1215 (2650-4600)	475-1387 (1798-5250)	238-1153 (900-4365)
6.0" SRCW	Between Flange	1310-1955 (4960-7552)	770-2610 (6700-9880)	730-2245 (2763-8498)
8.0" SRCW	Between Flange	-	2499-4403 (9460-16667)	-

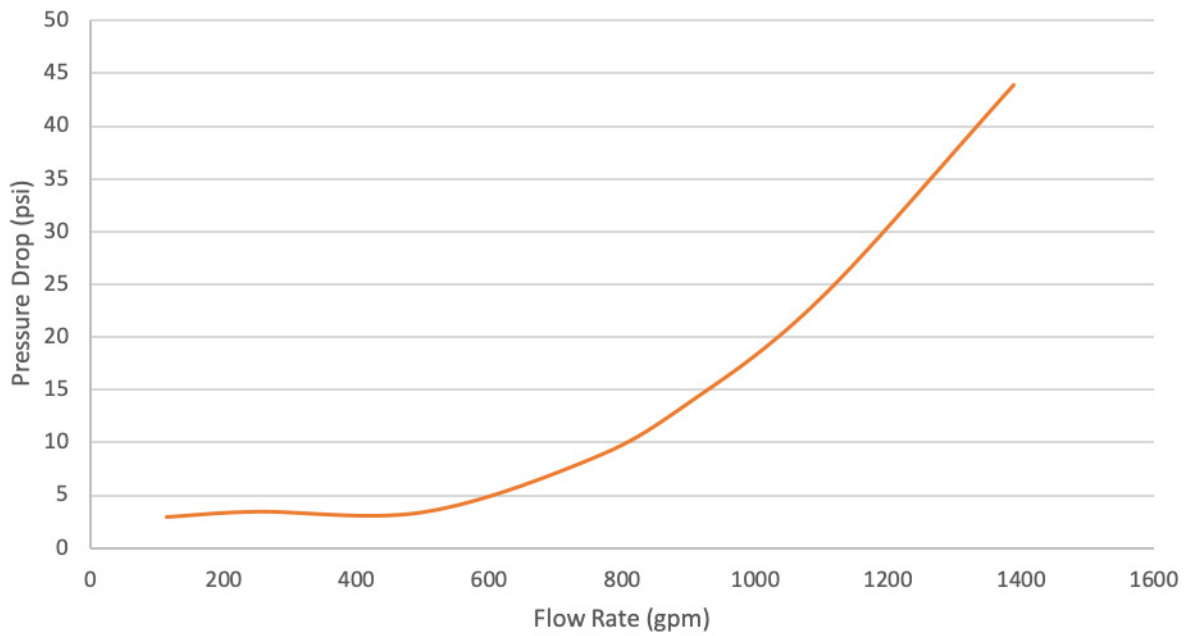
SOLBERG® FOAM RATIO CONTROLLER (Between Flange)

PRESSURE LOSS CURVES

3" Ratio Controller Pressure Drop



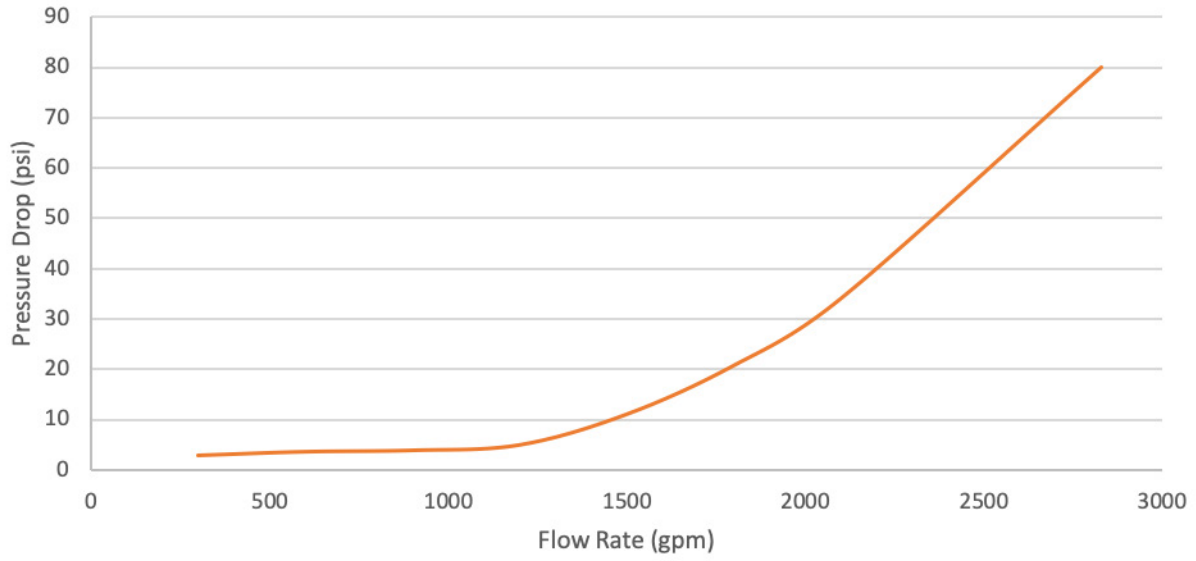
4" Ratio Controller Pressure Drop



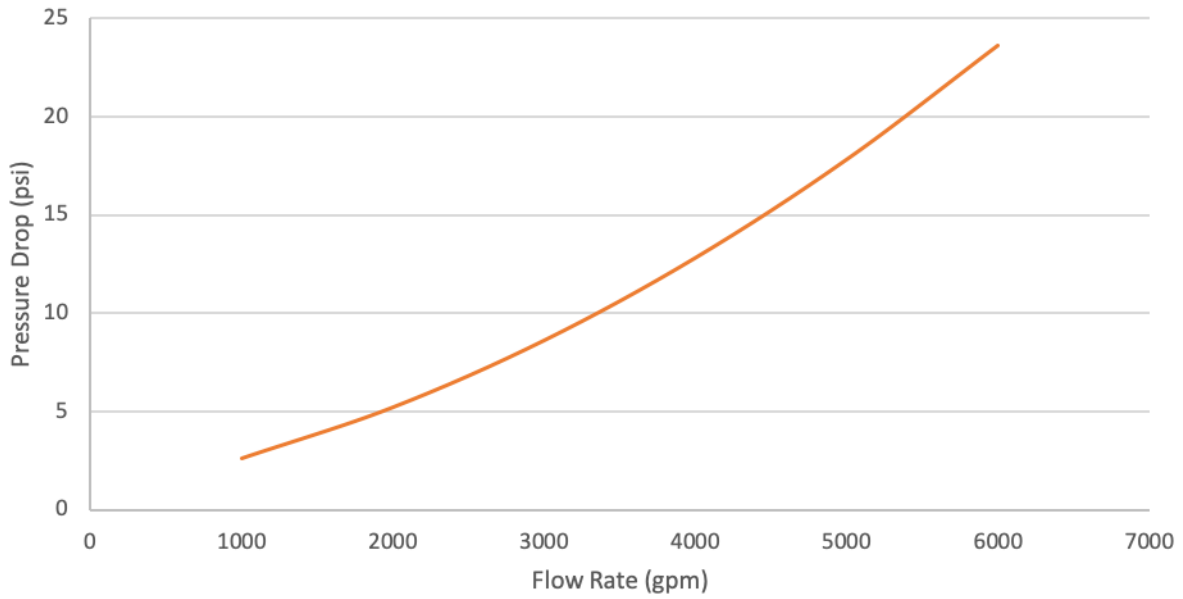
SOLBERG® FOAM RATIO CONTROLLER (Between Flange)

PRESSURE LOSS CURVES

6" Ratio Controller Pressure Drop



8" Ratio Controller Pressure Drop



SOLBERG® FOAM RATIO CONTROLLER (Between Flange)

ORDERING INFORMATION

PART NO.	DESCRIPTION	APPROXIMATE SHIPPING WEIGHT	
		lb	kg
30057	Ratio Controller - Between Flange, 3.0" (76 mm), SOLBERG RE-HEALING RF3, 3% (330-690 gpm)	10	4
30058	Ratio Controller - Between Flange, 3.0" (76 mm), SOLBERG RE-HEALING RF3, 3% (293-492 gpm)	10	4
30059	Ratio Controller - Between Flange, 3.0" (76 mm), SOLBERG RE-HEALING RF3, 3%(214-311 gpm)	10	4
30060	Ratio Controller - Between Flange, 3.0" (76 mm), SOLBERG RE-HEALING RF3, 3%(165-244 gpm)	10	4
30104	Ratio Controller - Between Flange, 3.0" (76 mm), SOLBERG RE-HEALING RF3, 3% (423-689 gpm)	10	4
30120	Ratio Controller - Between Flange, 3.0" (76 mm), SOLBERG ARCTIC 1% SP AFFF	10	4
30121	Ratio Controller - Between Flange, 3.0" (76 mm), SOLBERG ARCTIC 3% AFFF	10	4
30123	Ratio Controller - Between Flange, 3.0" (76 mm), SOLBERG ARCTIC 3% MIL-SPEC AFFF	10	4
30122	Ratio Controller - Between Flange, 3.0" (76 mm), SOLBERG ARCTIC 3x3% ATC	10	4
30124A	Ratio Controller - Between Flange, 3.0" (76 mm), VERSAGARD 3x3 AS-100 - (439-762 gpm)	10	4
30124B	Ratio Controller - Between Flange, 3.0" (76 mm), VERSAGARD 3x3 AS-100 - (238-445 gpm)	10	4
30125	Ratio Controller - Between Flange, 3.0" (76 mm), RE-HEALING SP-100 3x3 - (210-570 gpm)	10	4
30126	Ratio Controller - Between Flange, 3.0" (76 mm), RE-HEALING SP-100 3x3 - (146-612 gpm)	10	4
30061	Ratio Controller - Between Flange, 4.0" (102 mm), SOLBERG RE-HEALING RF3, 3% (831-1390 gpm)	16	7
30062	Ratio Controller - Between Flange, 4.0" (102 mm), SOLBERG RE-HEALING RF3, 3% (406-882 gpm)	16	7
30063	Ratio Controller - Between Flange, 4.0" (102 mm), SOLBERG RE-HEALING RF3, 3% (254-477 gpm)	16	7
30105	Ratio Controller - Between Flange, 4.0" (102 mm), SOLBERG RE-HEALING RF3, 3%(752-1257 gpm)	16	7
30130	Ratio Controller - Between Flange, 4.0" (102 mm), SOLBERG ARCTIC 1% AFFF	16	7
30134	Ratio Controller - Between Flange, 4.0" (102 mm), SOLBERG ARCTIC 1% SP AFFF	16	7
30131	Ratio Controller - Between Flange, 4.0" (102 mm), SOLBERG ARCTIC 3% AFFF	16	7
30133	Ratio Controller - Between Flange, 4.0" (102 mm), SOLBERG ARCTIC 3% MIL-SPEC AFFF	16	7
30132	Ratio Controller - Between Flange, 4.0" (102 mm), SOLBERG ARCTIC 3x3% ATC	16	7
30136	Ratio Controller - Between Flange, 4.0" (102 mm), VERSAGARD 3x3 AS-100 - (478-1420 gpm)	16	7
30137	Ratio Controller - Between Flange, 4.0" (102 mm), RE-HEALING SP-100 3x3 - (430-1370 gpm)	16	7
30138	Ratio Controller - Between Flange, 4.0" (102 mm), RE-HEALING SP-100 3x3 - (475-1387 gpm)	16	7
30064	Ratio Controller - Between Flange, 6.0" (152 mm), SOLBERG RE-HEALING RF3, 3% (1510-2726 gpm)	32	14
30065	Ratio Controller - Between Flange, 6.0" (152 mm), SOLBERG RE-HEALING RF3, 3% (1019-1845 gpm)	32	14
30066	Ratio Controller - Between Flange, 6.0" (152 mm), SOLBERG RE-HEALING RF3, 3% (880-1140 gpm)	32	14
30106	Ratio Controller - Between Flange, 6.0" (152 mm), SOLBERG RE-HEALING RF3, 3% (1564-2027 gpm)	32	14
30140	Ratio Controller - Between Flange, 6.0" (152 mm), SOLBERG ARCTIC 1% AFFF	32	14
30144	Ratio Controller - Between Flange, 6.0" (152 mm), SOLBERG ARCTIC 1% SP AFFF	32	14
30141	Ratio Controller - Between Flange, 6.0" (152 mm), SOLBERG ARCTIC 3% AFFF	32	14
30143	Ratio Controller - Between Flange, 6.0" (152 mm), SOLBERG ARCTIC 3% MIL-SPEC AFFF	32	14
30142	Ratio Controller - Between Flange, 6.0" (152 mm), SOLBERG ARCTIC 3x3% ATC	32	14
30145	Ratio Controller - Between Flange, 6.0" (152 mm), VERSAGARD 3x3 AS-100 - (1073-2824 gpm)	32	14
30146A	Ratio Controller - Between Flange, 6.0" (152 mm), RE-HEALING SP-100 3x3 - (1080-2893 gpm)	32	14
30146B	Ratio Controller - Between Flange, 6.0" (152 mm), RE-HEALING SP-100 3x3 - (877-1705 gpm)	32	14
30147	Ratio Controller - Between Flange, 6.0" (152 mm), RE-HEALING SP-100 3x3 - (770-2610 gpm)	32	14
30107	Ratio Controller - Between Flange, 8.0" (203 mm), SOLBERG RE-HEALING RF3, 3% (1909-4718 gpm)	53	24
30150	Ratio Controller - Between Flange, 8.0" (203 mm), SOLBERG ARCTIC 1% SP AFFF	53	24
30151	Ratio Controller - Between Flange, 8.0" (203 mm), SOLBERG ARCTIC 3% AFFF	53	24
30153	Ratio Controller - Between Flange, 8.0" (203 mm), SOLBERG ARCTIC 3% MIL-SPEC AFFF	53	24
30152	Ratio Controller - Between Flange, 8.0" (203 mm), SOLBERG ARCTIC 3x3% ATC	53	24
30155	Ratio Controller - Between Flange, 8.0" (203 mm), 3x3 ATC/SFFF - VERSAGARD AS-100 (2209-4305 gpm)	53	24
30156	Ratio Controller - Between Flange, 8.0" (203 mm), 3x3 ATC/SFFF - RE-HEALING 3x3 SP-100 (2324-5001 gpm)	53	24
30157	Ratio Controller - Between Flange, 8.0" (203 mm), 3x3 ATC/SFFF - RE-HEALING 3x3 SP-100 (2499-4403 gpm)	53	24

SOLBERG® FOAM RATIO CONTROLLER (Between Flange)



Solutions That Save.

FOR MORE INFORMATION

Contact any of our worldwide Perimeter Solutions Fire Safety offices or visit:

www.Perimeter-Solutions.com

UNITED STATES

1520 Brookfield Avenue
Green Bay, WI 54313

Tel: +1 (920) 593-9445

salesfoamusa@perimeter-solutions.com

EMEA

Polígono Industrial de Baiña, Parcela 23
33682 Baiña-Mieres (Asturias) – Spain

Tel: +34 985 24 29 45

salesfoameea@perimeter-solutions.com

ASIA PACIFIC

3 Charles Street
St Marys NSW 2760 – Australia

Tel: +61 2 9673 5300

salesfoamapac@perimeter-solutions.com

perimeter-solutions.com

NOTICE PERIMETER SOLUTIONS MAKES NO REPRESENTATIONS OR WARRANTIES AS TO THE COMPLETENESS OR ACCURACY OF THE INFORMATION INCLUDED HEREIN. THE INFORMATION CONTAINED HEREIN IS NOT INTENDED TO PROVIDE REGULATORY, LEGAL OR EXPERT ADVICE RELATING TO THE PRODUCTS, ITS APPLICATION OR USES. NOTHING CONTAINED HEREIN IS TO BE CONSTRUED AS A RECOMMENDATION TO USE ANY PRODUCT, PROCESS, EQUIPMENT OR FORMULATION IN CONFLICT WITH ANY INDUSTRIAL PROPERTY OR INTELLECTUAL PROPERTY RIGHTS, AND PERIMETER SOLUTIONS MAKES NO REPRESENTATION OR WARRANTY, EXPRESS OR IMPLIED, THAT THE USE THEREOF WILL NOT INFRINGE ON ANY INDUSTRIAL PROPERTY OR INTELLECTUAL PROPERTY RIGHTS. NO REPRESENTATIONS OR WARRANTIES, EITHER EXPRESSED OR IMPLIED, OF MERCHANTABILITY, FITNESS FOR A PARTICULAR PURPOSE OR OF ANY OTHER NATURE ARE MADE HEREUNDER WITH RESPECT TO THE INFORMATION CONTAINED HEREIN.

© 2023 PERIMETER SOLUTIONS LP. ALL RIGHTS RESERVED. ARCTIC, P TRIANGLE DESIGN, PERIMETER SOLUTIONS, RE-HEALING, SOLBERG, AND VERSAGARD, QUALITY PRODUCTS. EXCEPTIONAL RESPONSE, ARE TRADEMARKS OF PERIMETER SOLUTIONS, LP. ALL OTHER TRADEMARKS ARE THE PROPERTY OF THEIR RESPECTIVE OWNER.

F-2011013-10