

# MOBILE FOAM CART (POLYETHYLENE TANK)

## FEATURES

- One person operation
- Rugged frame
- 35 gallon (130 litres) polyethylene tank
- 1.5" or 2.5", inline eductor, mounted
- Hose storage rack capable of holding 50 ft (15 m) fire hose
- Heavy duty industrial 16.0" x 4.0" (406 mm x 102 mm) wheels and tires

## DESCRIPTION

The Perimeter Solutions Mobile Foam Cart is designed and constructed for one-person operation. This foam station can function at its full potential quickly in an emergency situation.

Foam concentrate is stored in a 35 gallon (130 litres) polyethylene tank equipped with a 66 gpm

(250 lpm), 106 gpm (400 lpm) or 211 gpm (800 lpm) eductor and pick-up tube. The pick-up tube is connected to the tank and utilizes a metering device to determine what percentage of foam concentrate is introduced into the water stream. On the inlet of the eductor, a supply fire hose is connected that delivers water from an independent source. A fire hose and discharge nozzle are connected to the outlet. When in operation, water flows through the eductor creating a vacuum that draws foam concentrate out of the tank to the metering valve of the eductor and into the water stream, delivering foam solution to the nozzle.

**Note: gpm (lpm) of nozzle and eductor must match or unit will not operate as intended.**

## APPLICATION

The Perimeter Solutions Foam Cart is designed to provide firefighting capabilities to multiple hazard areas containing Class B fuels. Common high-hazard high-risk areas include:

- Flammable liquid storage
- Mining operations
- Paint storage areas
- Tank farms
- Wood manufacturing/processing areas



## SPECIFICATIONS

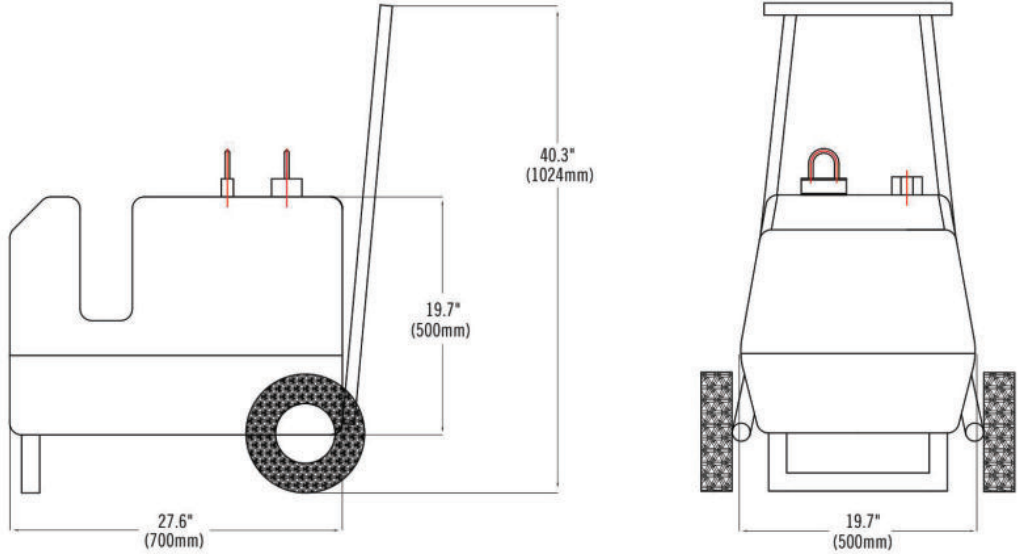
The foam cart consists of a 35 gallon (130 litre) polyethylene foam concentrate tank. The frame is constructed of carbon steel tube and angle. Eductor material is brass. The eductor is either a 1.5" (38mm) or 2.5" (63mm) inline eductor with pick-up tube and metering valve for adjustment of 3% or 6% proportioning. One 50 ft (15 m) hose length with threaded couplings is provided. The inlet hose is 1.5" x 50' (38 mm x 15 m) or 2.5" x 50' (63 mm x 15 m) coupled and the outlet hose is 1.5" x 50' (38 mm x 15 m) or 2.5" x 50' (63 mm x 15 m) depending on model type. Handline nozzle is included. Alternative (customer supplied) handline nozzles capable for use with the foam cart include medium expansion, air-aspirated or non-air aspirated nozzles with the same gpm (lpm) as the eductor.

## OPTIONS

- STORZ fittings
- 1.5" x 50' hose (38 mm x 15 m)
- 2.5" x 50' hose (64 mm x 15 m)
- 66, 106 or 211 gpm (250, 400 or 800 lpm) by-pass manifold - stainless steel
- Hydrant-spanner wrench set
- For use with Solberg foam concentrates (RE-HEALING™, ARCTIC™, FIRE-BRAKE™)
- Vinyl cover

# MOBILE FOAM CART

## DIMENSIONAL INFORMATION



## ORDERING INFORMATION

MOBILE FOAM CART PART NO.	DESCRIPTION	APPROXIMATE SHIPPING WEIGHT		APPROXIMATE CUBE
		lb	kg	L x D x H
33002	Mobile Foam Cart, Polyethylene Tank, 35 gallon (130 litre), 66 gpm (250 lpm)	154	70	25" X 30" X 55" 635mm x 762mm x 1400mm
33003	Mobile Foam Cart, Polyethylene Tank, 35 gallon (130 litre), 106 gpm (400 lpm)	154	70	
33004	Mobile Foam Cart, Polyethylene Tank, 35 gallon (130 litre), 211 gpm (800 lpm)	156	71	



**Solutions That Save.**

### FOR MORE INFORMATION

Contact any of our worldwide Perimeter Solutions Fire Safety offices or visit:

[www.Perimeter-Solutions.com](http://www.Perimeter-Solutions.com)

### UNITED STATES

10667 Jersey Blvd.  
Rancho Cucamonga, CA 91730  
Tel: +1 800 682 3626  
Tel: +1 909 983 0772  
[salesfoamusa@perimeter-solutions.com](mailto:salesfoamusa@perimeter-solutions.com)

### EMEA

Polígono de Baiña, Parcela 23  
33682 Mieres (Asturias)  
Spain  
Tel: +34 985 24 29 45  
[salesfoamea@perimeter-solutions.com](mailto:salesfoamea@perimeter-solutions.com)

### ASIA PACIFIC

3 Charles Street  
St Marys NSW 2760 – Australia  
Tel: +61 2 9673 5300  
[salesfoamapac@perimeter-solutions.com](mailto:salesfoamapac@perimeter-solutions.com)

[perimeter-solutions.com](http://perimeter-solutions.com)

**NOTICE** PERIMETER SOLUTIONS MAKES NO REPRESENTATIONS OR WARRANTIES AS TO THE COMPLETENESS OR ACCURACY OF THE INFORMATION INCLUDED HEREIN. THE INFORMATION CONTAINED HEREIN IS NOT INTENDED TO PROVIDE REGULATORY, LEGAL OR EXPERT ADVICE RELATING TO THE PRODUCTS, ITS APPLICATION OR USES. NOTHING CONTAINED HEREIN IS TO BE CONSTRUED AS A RECOMMENDATION TO USE ANY PRODUCT, PROCESS, EQUIPMENT OR FORMULATION IN CONFLICT WITH ANY INDUSTRIAL PROPERTY OR INTELLECTUAL PROPERTY RIGHTS, AND PERIMETER SOLUTIONS MAKES NO REPRESENTATION OR WARRANTY, EXPRESS OR IMPLIED, THAT THE USE THEREOF WILL NOT INFRINGE ON ANY INDUSTRIAL PROPERTY OR INTELLECTUAL PROPERTY RIGHTS. NO REPRESENTATIONS OR WARRANTIES, EITHER EXPRESSED OR IMPLIED, OF MERCHANTABILITY, FITNESS FOR A PARTICULAR PURPOSE OR OF ANY OTHER NATURE ARE MADE HEREUNDER WITH RESPECT TO THE INFORMATION CONTAINED HEREIN.