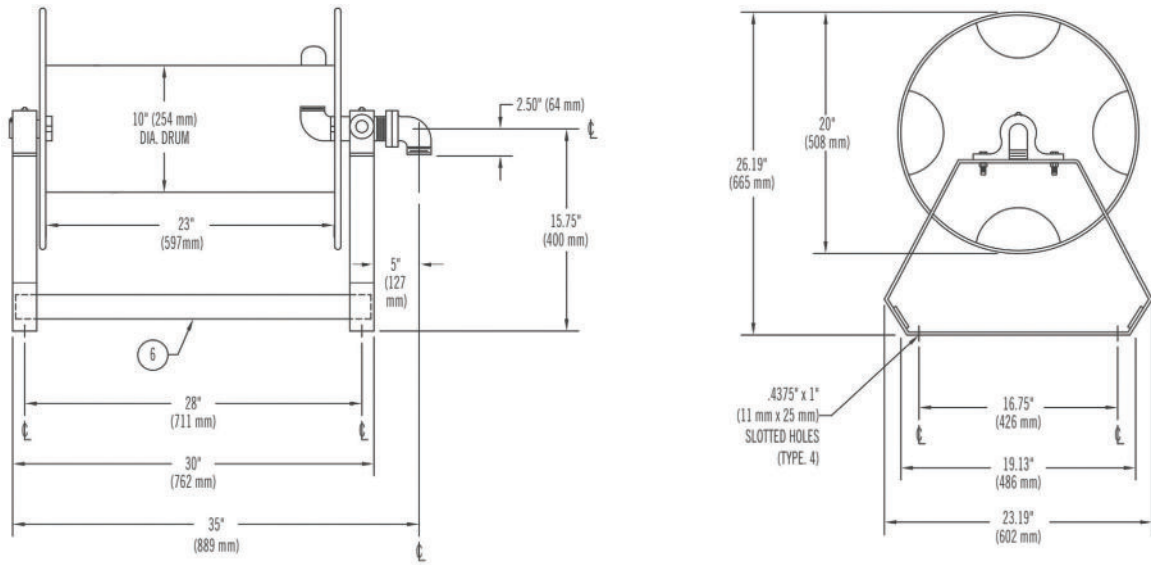




# CONTINUOUS FLOW HOSE REEL

## DIMENSIONAL INFORMATION



## ORDERING INFORMATION

PART NO.	DESCRIPTION	APPROXIMATE SHIPPING WEIGHT	
		lb	kg
35310	Continuous Flow Hose Reel, Model SCHR-50, 50' (15 meter) Hose	142	64
35311	Continuous Flow Hose Reel, Model SCHR-75, 75' (23 meter) Hose	165	75
35312	Continuous Flow Hose Reel, Model SCHR-100, 100' (30 meter) Hose	194	88
35313	Continuous Flow Hose Reel, Model SCHR-150, 150' (46 meter) Hose	246	111



**Solutions That Save.**

### FOR MORE INFORMATION

Contact any of our worldwide Perimeter Solutions Fire Safety offices or visit:

[www.Perimeter-Solutions.com](http://www.Perimeter-Solutions.com)

### UNITED STATES

10667 Jersey Blvd.  
 Rancho Cucamonga, CA 91730  
 Tel: +1 800 682 3626  
 Tel: +1 909 983 0772  
[salesfoamusa@perimeter-solutions.com](mailto:salesfoamusa@perimeter-solutions.com)

### EMEA

Polígono de Baiña, Parcela 23  
 33682 Mieres (Asturias)  
 Spain  
 Tel: +34 985 24 29 45  
[salesfoamea@perimeter-solutions.com](mailto:salesfoamea@perimeter-solutions.com)

### ASIA PACIFIC

3 Charles Street  
 St Marys NSW 2760 – Australia  
 Tel: +61 2 9673 5300  
[salesfoamapac@perimeter-solutions.com](mailto:salesfoamapac@perimeter-solutions.com)

[perimeter-solutions.com](http://perimeter-solutions.com)

**NOTICE** PERIMETER SOLUTIONS MAKES NO REPRESENTATIONS OR WARRANTIES AS TO THE COMPLETENESS OR ACCURACY OF THE INFORMATION INCLUDED HEREIN. THE INFORMATION CONTAINED HEREIN IS NOT INTENDED TO PROVIDE REGULATORY, LEGAL OR EXPERT ADVICE RELATING TO THE PRODUCTS, ITS APPLICATION OR USES. NOTHING CONTAINED HEREIN IS TO BE CONSTRUED AS A RECOMMENDATION TO USE ANY PRODUCT, PROCESS, EQUIPMENT OR FORMULATION IN CONFLICT WITH ANY INDUSTRIAL PROPERTY OR INTELLECTUAL PROPERTY RIGHTS, AND PERIMETER SOLUTIONS MAKES NO REPRESENTATION OR WARRANTY, EXPRESS OR IMPLIED, THAT THE USE THEREOF WILL NOT INFRINGE ON ANY INDUSTRIAL PROPERTY OR INTELLECTUAL PROPERTY RIGHTS. NO REPRESENTATIONS OR WARRANTIES, EITHER EXPRESSED OR IMPLIED, OF MERCHANTABILITY, FITNESS FOR A PARTICULAR PURPOSE OR OF ANY OTHER NATURE ARE MADE HEREUNDER WITH RESPECT TO THE INFORMATION CONTAINED HEREIN.