

MANUAL MONITOR - TFT

DESCRIPTION

The Task Force Tips® PROTECTOR series of manual monitors are ideally suited for high performance fire flows under rugged industrial conditions. The lightweight aluminum alloy is hard coat anodized and powder coated for corrosion protection in even the most hazardous environments. An integrated stainless steel ball shutoff provides visual valve position indicator. Rated flows up to 1250 gpm (4732 l/min).

The PROTECTOR series of monitors remain virtually maintenance free with uniquely integrated polymer wear rings and seals. Stainless components also are integral to the long term rugged durability. The exclusive water way design and internal powder coating provides low loss turbulence free water stream for maximum reach and penetration.

The PROTECTOR series of monitors are matched with TFT's exclusive ZN and ZM fixed flow industrial combination nozzles and provide either a hard hitting straight stream, or a wide protective fog pattern. Nozzles can be specified with customer required flow and pressure (K-factor) settings and accept low expansion foam attachments designed for maximum reach and foam expansion.

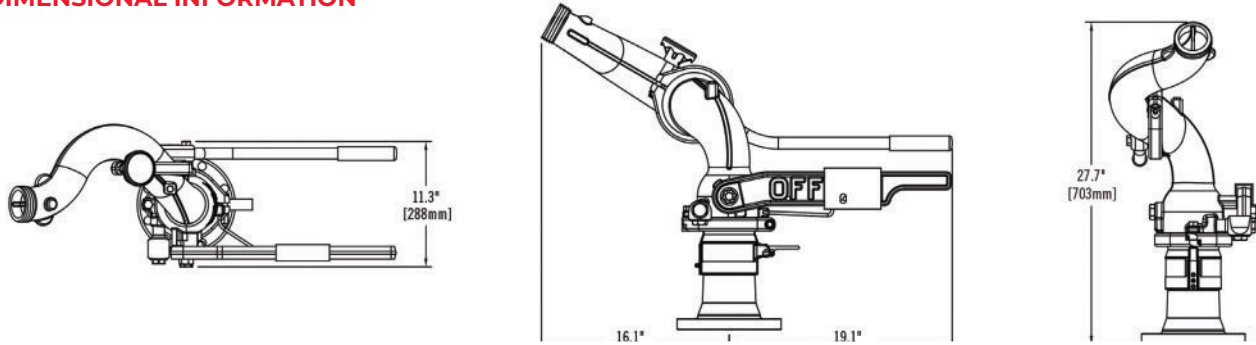


SPECIFICATIONS

Monitor Configuration	Fixed Mount
Flow Rate - Monitors	Flow up to 1250 gpm (4732 l/min)
Operation Energy Source	Manual
Monitor Inlet	3 or 4 inch ANSI 150
Monitor Outlet	2.5 inch (65 mm)
Horizontal Control	Tiller Bar with Lever Action Rotational Lock
Horizontal Movement (degrees)	Continuous 360
Vertical Control	Tiller Bar with Lock Knob
Vertical Movement (degrees)	45 below to 90 above horizontal
Safety Shutoff	With or Without Safety Shutoff
Pressure Relief Valve	No PRV
Valve Design	No Valve
Finish	Powdercoated Fire Engine Red
Certifications	N/A
Sweep Angle (degrees)	Fixed Center
Vertical Oscillation	N/A

INDUSTRIAL NOZZLES - TFT

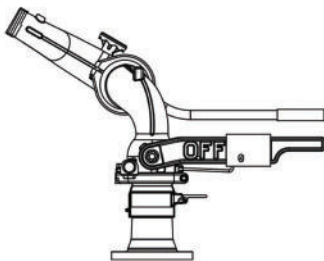
DIMENSIONAL INFORMATION



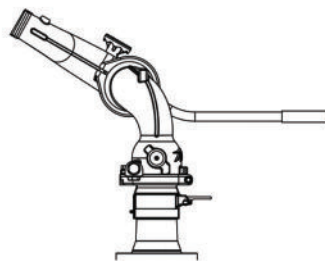
INLET SPECIFICATIONS

FITS FLANGE	OUTSIDE DIAMETER	THICKNESS	BOLT HOLE CIRCLE	SIZE OF BOLTS
3" ANSI 125/150 - DN80 PN20	7.50" / 190 mm	0.75" / 20 mm	4	5/8" / M16
4" ANSI 150 - DN100 PN20	9.00" / 230 mm	0.94" / 3 mm	8	5/8" / M16
DN80 PN16	200 mm	22 mm	8	16 mm
DN100 PN16	220 mm	22 mm	8	16 mm

Z11A



Z12A



Z11A / Z12A

INLET	OUTLET
1) 3" ANSI 150	1) 2.5" (65 mm) - 7.5 NH
2) 4" ANSI 150	2) 2.5" (65 mm) - 11 BSP
4) DN80 PN16	3) 2.5" (65 mm) - 11.5 NPSH
5) DN100 PN16	9) SPECIAL THREADS

ORDERING INFORMATION

PART NO.	DESCRIPTION	APPROXIMATE SHIPPING WEIGHT	
		lb	kg
32200	Manual Monitor with On/Off Valve, PROTECTOR, 1250 gpm (4732 l/min), 4" inlet mounting flange, 2.5" NH outlet	35	16
32201	Manual Monitor, PROTECTOR, 1250 gpm (4732 l/min), 4" inlet mounting flange, 2.5" NH outlet	35	16
32208	Manual Monitor with On/Off Valve, PROTECTOR, 1250 gpm (4732 l/min), 3" inlet mounting flange, 2.5" NH outlet	35	16
32209	Manual Monitor, PROTECTOR, 1250 gpm (4732 l/min), 3" inlet mounting flange, 2.5" NH outlet	35	16

Note: Must specify K-factor at time of order



Solutions That Save.

FOR MORE INFORMATION

Contact any of our worldwide Perimeter Solutions Fire Safety offices or visit:

www.Perimeter-Solutions.com

UNITED STATES

10667 Jersey Blvd.
Rancho Cucamonga, CA 91730
Tel: +1 800 682 3626
Tel: +1 909 983 0772
salesfoamusa@perimeter-solutions.com

EMEA

Polígono de Baiña, Parcela 23
33682 Mieres (Asturias)
Spain
Tel: +34 985 24 29 45
salesfoamea@perimeter-solutions.com

ASIA PACIFIC

3 Charles Street
St Marys NSW 2760 – Australia
Tel: +61 2 9673 5300
salesfoamapac@perimeter-solutions.com

perimeter-solutions.com

NOTICE PERIMETER SOLUTIONS MAKES NO REPRESENTATIONS OR WARRANTIES AS TO THE COMPLETENESS OR ACCURACY OF THE INFORMATION INCLUDED HEREIN. THE INFORMATION CONTAINED HEREIN IS NOT INTENDED TO PROVIDE REGULATORY, LEGAL OR EXPERT ADVICE RELATING TO THE PRODUCTS, ITS APPLICATION OR USES. NOTHING CONTAINED HEREIN IS TO BE CONSTRUED AS A RECOMMENDATION TO USE ANY PRODUCT, PROCESS, EQUIPMENT OR FORMULATION IN CONFLICT WITH ANY INDUSTRIAL PROPERTY OR INTELLECTUAL PROPERTY RIGHTS, AND PERIMETER SOLUTIONS MAKES NO REPRESENTATION OR WARRANTY, EXPRESS OR IMPLIED, THAT THE USE THEREOF WILL NOT INFRINGE ON ANY INDUSTRIAL PROPERTY OR INTELLECTUAL PROPERTY RIGHTS. NO REPRESENTATIONS OR WARRANTIES, EITHER EXPRESSED OR IMPLIED, OF MERCHANTABILITY, FITNESS FOR A PARTICULAR PURPOSE OR OF ANY OTHER NATURE ARE MADE HEREUNDER WITH RESPECT TO THE INFORMATION CONTAINED HEREIN.