

SOLBERG® ATMOSPHERIC FOAM STORAGE TANKS

FEATURES

- **Foam Concentrate or Pre-mix storage**
- **High density cross-linked polyethylene construction**
- **Level site gauge**
- **Translucent tank appearance**
- **Easy to fill while in operation**
- **Optional horizontal tank configuration (upon request)**

DESCRIPTION

SOLBERG® Atmospheric Foam Concentrate Storage Tanks are manufactured of high-density, cross-linked polyethylene in a vertical configuration. Storage tank assemblies are equipped with a suction connection, return connection, drain/fill connection, and domed top. SOLBERG Atmospheric Foam Concentrate Storage Tanks are available in standard sizes or custom built to your specifications up to 10,000 gallons (37,854 litres).

APPLICATION

An atmospheric foam concentrate storage tank is a key component in a balanced pressure proportioning system. The storage tank is compatible with all SOLBERG foam concentrates (RE-HEALING™, ARCTIC™, FIRE-BRAKE™). Atmospheric storage tanks are normally used in conjunction with balanced pressure pump proportioning or inline balanced pressure proportioning skid type systems.

OPTIONS

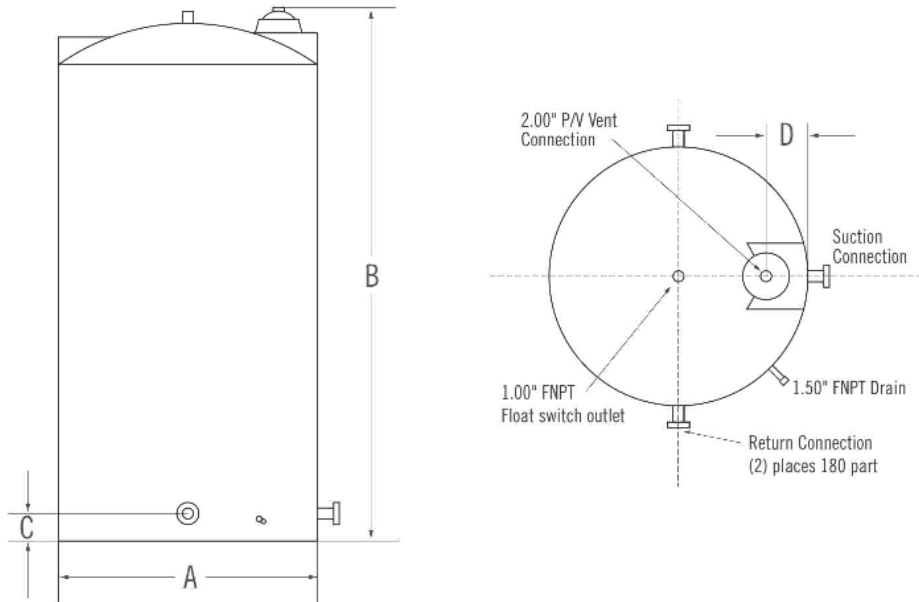
- Flex connectors
- Horizontal tank configuration
- Low liquid level indicator float switch
- Pressure vacuum vent/drain valve
- Seismic restraints
- Carbon steel, stainless steel or fiberglass construction
- Custom built sizes



SOLBERG® ATMOSPHERIC FOAM STORAGE TANKS

DIMENSIONAL INFORMATION

MODEL	Nominal Tank Size gal (l)	Capacity gal (l)	APPROXIMATE DIMENSIONS Inches (Millimeters)				Suction Inlet Diameter	Return Inlet Diameter	Wall Thickness
			A	B	C	D			
23001	100 (379)	106 (401)	23.00 (584)	67.00 (1702)	8.00 (203)	11.50 (292)	2.00 (51) FNPT	1.50 (38) FNPT	0.25 (64)
23002	205 (776)	214 (810)	31.00 (787)	74.00 (1880)	8.00 (203)	15.50 (394)	2.00 (51) FNPT	1.50 (38) FNPT	0.25 (64)
23003	295 (1117)	319 (1208)	46.00 (1168)	53.00 (1346)	8.00 (203)	23.00 (584)	2.00 (51) FNPT	1.50 (38) FNPT	0.25 (64)
23004	475 (1798)	503 (1904)	48.00 (1219)	75.00 (1905)	8.00 (203)	24.00 (610)	2.00 (51) FNPT	1.50 (38) FNPT	0.25 (64)
23005	540 (2044)	565 (2139)	48.00 (1219)	82.00 (2083)	8.00 (203)	17.50 (445)	3.00 (76) Flange	2.00 (38) FNPT	0.25 (64)
23006	805 (3047)	834 (3157)	48.00 (1219)	119.00 (3023)	8.00 (203)	14.00 (356)	3.00 (76) Flange	2.00 (38) FNPT	0.25 (64)
23007	1000 (3785)	1164 (4406)	86.00 (2187)	53.00 (1346)	8.00 (203)	17.50 (445)	3.00 (76) Flange	2.00 (38) FNPT	0.31 (79)
23008	1150 (4353)	1229 (5652)	64.00 (1626)	98.00 (2489)	8.00 (203)	18.00 (457)	3.00 (76) Flange	3.00 (38) Flange	0.31 (79)
23009	1450 (5489)	1611 (6098)	86.00 (2184)	74.00 (1880)	8.00 (203)	16.00 (406)	3.00 (76) Flange	3.00 (38) Flange	0.31 (79)
23010	2250 (8517)	2492 (9433)	96.00 (2438)	93.00 (2362)	8.00 (203)	18.50 (470)	4.00 (102) Flange	3.00 (38) Flange	0.38 (97)
23011	2550 (9653)	2701 (10224)	85.00 (2159)	124.00 (3150)	8.00 (203)	19.00 (483)	4.00 (102) Flange	3.00 (38) Flange	0.38 (97)
23012	3000 (1356)	3173 (12011)	85.00 (2159)	140.00 (3556)	8.00 (203)	19.00 (483)	4.00 (102) Flange	3.00 (38) Flange	0.44 (112)
23013	3900 (14763)	4131 (15638)	94.00 (2388)	153.00 (3886)	1000 (254)	23.50 (597)	6.00 (152) Flange	4.00 (38) Flange	0.56 (142)
23014	5050 (19116)	5244 (19851)	94.00 (2388)	192.00 (4877)	1000 (254)	23.00 (584)	6.00 (152) Flange	4.00 (38) Flange	0.75 (191)



SOLBERG® ATMOSPHERIC FOAM STORAGE TANKS

ORDERING INFORMATION

ATMOSPHERIC FOAM STORAGE TANKS		APPROXIMATE SHIPPING WEIGHT	
PART NO.	DESCRIPTION	lb	kg
23001	SOLBERG Atmospheric Foam Tank - Poly, Vertical, 100 gallon (379 litre)	45	20
23002	SOLBERG Atmospheric Foam Tank - Poly, Vertical, 205 gallon (776 litre)	60	27
23003	SOLBERG Atmospheric Foam Tank- Poly, Vertical, 295 gallon (1117 litre)	75	34
23004	SOLBERG Atmospheric Foam Tank- Poly, Vertical, 475 gallon (1798 litre)	100	45
23005	SOLBERG Atmospheric Foam Tank- Poly, Vertical, 540 gallon (2044 litre)	120	54
23006	SOLBERG Atmospheric Foam Tank- Poly, Vertical, 805 gallon (3047 litre)	200	91
23007	SOLBERG Atmospheric Foam Tank- Poly, Vertical, 1000 gallon (3785 litre)	230	104
23008	SOLBERG Atmospheric Foam Tank - Poly, Vertical, 1150 gallon (4353 litre)	260	118
23009	SOLBERG Atmospheric Foam Tank- Poly, Vertical, 1450 gallon (5489 litre)	270	122
23010	SOLBERG Atmospheric Foam Tank - Poly, Vertical, 2250 gallon (8515 litre)	450	204
23011	SOLBERG Atmospheric Foam Tank - Poly, Vertical, 2550 gallon (9653 litre)	575	261
23012	SOLBERG Atmospheric Foam Tank- Poly, Vertical, 3000 gallon (11356 litre)	900	408
23013	SOLBERG Atmospheric Foam Tank- Poly, Vertical, 3900 gallon (14763 litre)	1000	454
23014	SOLBERG Atmospheric Foam Tank- Poly, Vertical, 5050 gallon (19116 litre)	1650	748

ACCESSORIES - POLY TANKS		APPROXIMATE SHIPPING WEIGHT	
PART NO.	DESCRIPTION	lb	kg
23200	Tank Trim Package, 2.0" (51 mm) Vacuum Vent, 1.5" (38 mm) Drain Valve	25	11
23201	Low Liquid Level Switch, (N.O.)	15	7
23202	Low Liquid Level Switch, (N.C.)	15	7
23203	Flex Connector, 1.5" (38 mm) Flanged	3	1
23204	Flex Connector, 2.0" (51 mm) Flanged	4	2
23205	Flex Connector, 3.0" (76 mm) Flanged	7	3
23206	Flex Connector, 4.0" (102 mm) Flanged	9	5
23207	Flex Connector, 6.0" (152 mm) Flanged	14	6
23208	Mineral Oil Concentrate Sealer, 5 gallon (20 litre) Pail	45	20



Solutions That Save.

FOR MORE INFORMATION

Contact any of our worldwide Perimeter Solutions Fire Safety offices or visit:

www.Perimeter-Solutions.com

UNITED STATES

10667 Jersey Blvd.
Rancho Cucamonga, CA 91730
Tel: +1 800 682 3626
Tel: +1 909 983 0772
salesfoamusa@perimeter-solutions.com

EMEA

Polígono de Baiña, Parcela 23
33682 Mieres (Asturias)
Spain
Tel: +34 985 24 29 45
salesfoamea@perimeter-solutions.com

ASIA PACIFIC

3 Charles Street
St Marys NSW 2760 – Australia
Tel: +61 2 9673 5300
salesfoamapac@perimeter-solutions.com

perimeter-solutions.com

NOTICE PERIMETER SOLUTIONS MAKES NO REPRESENTATIONS OR WARRANTIES AS TO THE COMPLETENESS OR ACCURACY OF THE INFORMATION INCLUDED HEREIN. THE INFORMATION CONTAINED HEREIN IS NOT INTENDED TO PROVIDE REGULATORY, LEGAL OR EXPERT ADVICE RELATING TO THE PRODUCTS, ITS APPLICATION OR USES. NOTHING CONTAINED HEREIN IS TO BE CONSTRUED AS A RECOMMENDATION TO USE ANY PRODUCT, PROCESS, EQUIPMENT OR FORMULATION IN CONFLICT WITH ANY INDUSTRIAL PROPERTY OR INTELLECTUAL PROPERTY RIGHTS, AND PERIMETER SOLUTIONS MAKES NO REPRESENTATION OR WARRANTY, EXPRESS OR IMPLIED, THAT THE USE THEREOF WILL NOT INFRINGE ON ANY INDUSTRIAL PROPERTY OR INTELLECTUAL PROPERTY RIGHTS. NO REPRESENTATIONS OR WARRANTIES, EITHER EXPRESSED OR IMPLIED, OF MERCHANTABILITY, FITNESS FOR A PARTICULAR PURPOSE OR OF ANY OTHER NATURE ARE MADE HEREUNDER WITH RESPECT TO THE INFORMATION CONTAINED HEREIN.