

SOLBERG® PRE-PIPED BLADDER TANKS – HORIZONTAL & VERTICAL

FEATURES

- UL Listed with SOLBERG foam concentrates
- FM Approved with SOLBERG® RE-HEALING™ RF3, 3% and SOLBERG® ARCTIC™ 3x3% ATC™ Foam Concentrates
- Accurate concentrate proportioning permits operation over a wide range of flow rates
- All tanks have thermal expansion allowance for foam concentrates
- Design simplicity minimizes system failure due to mechanical issues
- Ease of operation, requires no outside source of power
- Ease of retrofit into existing water based extinguishing systems
- Manual system with automatic option available
- Minimized installation costs compared to other proportioning methods
- Uses existing water pressure for delivery of foam solution to the discharge devices

DESCRIPTION

SOLBERG® Pre-piped Bladder Tanks are the main component in a balanced pressure proportioning bladder tank system that requires no outside power source other than adequate water supply.

The SOLBERG Pre-piped Bladder Tank is a carbon steel pressure vessel that uses a nylon reinforced neoprene rubber bladder to store the foam concentrate. During operation the foam concentrate is discharged from the tank by the water supply, which collapses the bladder around the perforated center tube until concentrate is depleted. SOLBERG Pre-piped Bladder Tanks are available in both vertical and horizontal versions in multiple sizes.

APPLICATION

SOLBERG Pre-piped Bladder Tanks can be used in multiple high-hazard, high-risk applications including aircraft hangars, foam-water sprinkler systems, helipads, and truck loading racks.

SPECIFICATIONS

Vertical and horizontal pre-piped bladder tanks are manufactured in compliance with ASME Code Section VIII Division 1 with a design working pressure of 175 psi (12 bar) and tested to 263 psi (18 bar) — 1.5 times the working pressure. The tank is constructed out of SA 516 Grade 70 carbon steel with a nylon reinforced neoprene rubber bladder. It has a perforated center tube, and a .37" (9 mm) water channel between the water inlet and water drain valve, which creates a water path between the bladder and tank shell. Openings that



are greater than 1.0" (25 mm) will be divided to prevent bladder damage.

Pre-piped vertical bladder tank construction shall be mounted on a full skirt with four tabs drilled for anchoring.

Pre-piped horizontal bladder tank construction shall be mounted on four legs permanently welded and drilled for anchoring.

All pre-piped bladder tanks are furnished with lifting lugs, ASME welded nameplate, 1.0" (2.5 cm) bronze trim valves with locking handle in accordance with NFPA Standard 11, and Solberg Operation and Maintenance Manual.

The exterior of all pre-piped bladder tanks will be prepared and finished with Solberg standard blue or red enamel finish.

OPTIONS

- 100% X-Ray design
- Carbon or stainless steel construction
- Custom tank size and dimensions
- Epoxy or coal tar inner liner
- Inspection service
- National board registration
- Pressure relief valve*
- Seismic calculations
- Sight gage assembly
- Start-up and commission service

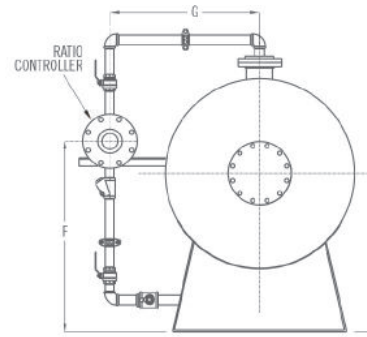
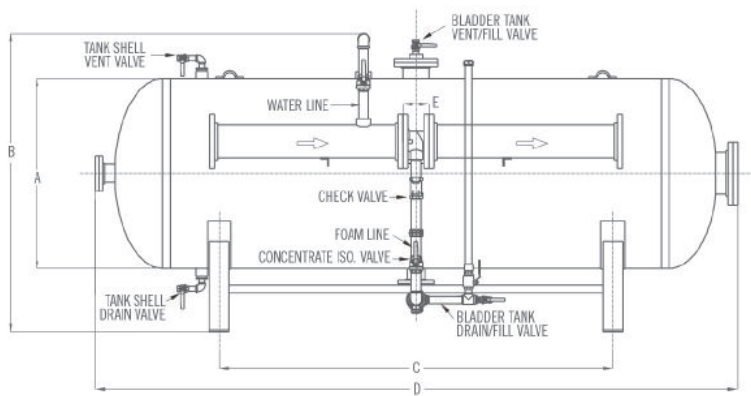
CERTIFICATIONS

American Society of Mechanical Engineers (ASME), Underwriters Laboratories, Inc. (UL) Listed – Standard 162, FM Approved per Approval Standard 5130.

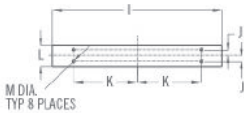
*Not Part of FM Approval

SOLBERG® PRE-PIPED BLADDER TANKS – HORIZONTAL & VERTICAL

DIMENSIONAL INFORMATION - HORIZONTAL



SADDLE FOR TANK



Prop. Diameter	E Upstream and Downstream Minimum Length			
	inch	mm	inch	mm
2	7	178	10	254
2.5	7	178	12.5	318
3	2.38	61	15	381
4	2.63	67	20	508
6	3.25	83	30	762
6 VRP	2.75	70	30	762
8	3.5	89	40	1016

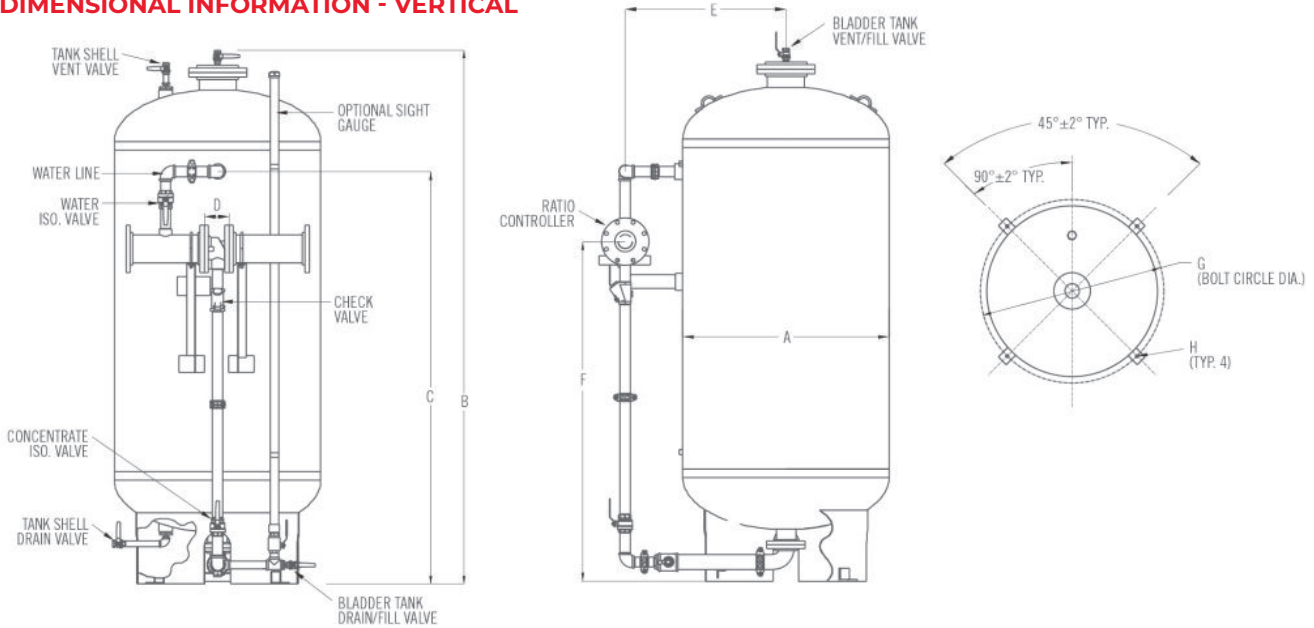
NOMINAL TANK SIZE

DIMENSIONS Inches (Millimeters)

Gallon (Litre)	A	B	C	D	F	G	H	I	J	K	L	M
50 (189)	20 (508)	41.5 (1055)	14 (356)	55.5 (1410)	35 (889)	24 (610)	22 (559)	20 (508)	0.875 (23)	7 (178)	3 (77)	0.5625 (15)
100 (379)	24 (610)	45.5 (1156)	22 (559)	72 (1829)	35 (889)	26 (661)	24 (610)	24 (610)	0.875 (23)	9 (229)	3 (77)	0.5625 (15)
150 (568)	30 (762)	51.5 (1309)	36 (915)	71 (1804)	38 (966)	29 (737)	27 (686)	30 (762)	1.125 (29)	11 (280)	4 (102)	0.5625 (15)
200 (757)	30 (762)	51.5 (1309)	34 (864)	89 (2261)	38 (966)	29 (737)	27 (686)	30 (762)	1.125 (29)	11 (280)	4 (102)	0.5625 (15)
300 (1136)	36 (915)	58 (1474)	36 (915)	93 (2363)	52 (1321)	32 (813)	30 (762)	34 (864)	1.125 (29)	13 (331)	4 (102)	0.5625 (15)
400 (1514)	42 (1067)	64 (1626)	50 (1270)	93 (2363)	52 (1321)	35 (889)	33 (839)	40 (1016)	1.375 (35)	15 (381)	5 (127)	0.6875 (18)
500 (1893)	42 (1067)	64 (1626)	48 (1220)	112 (2845)	52 (1321)	35 (889)	33 (839)	40 (1016)	1.375 (35)	15 (381)	5 (127)	0.6875 (18)
600 (2271)	42 (1067)	64 (1626)	60 (1524)	131 (3328)	52 (1321)	35 (889)	33 (839)	40 (1016)	1.375 (35)	15 (381)	5 (127)	0.6875 (18)
700 (2650)	48 (1220)	74 (1880)	50 (1270)	119 (3023)	60 (1524)	38 (966)	40 (1016)	44 (1118)	1.375 (35)	17 (432)	5 (127)	0.6875 (18)
800 (3028)	48 (1220)	74 (1880)	60 (1524)	134 (3404)	60 (1524)	38 (966)	40 (1016)	44 (1118)	1.375 (35)	17 (432)	5 (127)	0.6875 (18)
900 (3407)	48 (1220)	74 (1880)	70 (1778)	148 (3760)	60 (1524)	38 (966)	40 (1016)	44 (1118)	1.375 (35)	17 (432)	5 (127)	0.6875 (18)
1000 (3785)	48 (1220)	74 (1880)	94 (2388)	163 (4141)	60 (1524)	38 (966)	40 (1016)	44 (1118)	1.375 (35)	17 (432)	5 (127)	0.6875 (18)
1100 (4164)	48 (1220)	74 (1880)	100 (2540)	177 (4496)	60 (1524)	38 (966)	40 (1016)	44 (1118)	1.375 (35)	17 (432)	5 (127)	0.6875 (18)
1200 (4542)	60 (1524)	86 (2185)	58 (1474)	131 (3328)	60 (1524)	44 (1118)	46 (1169)	54 (1372)	1.75 (45)	22 (559)	6 (153)	0.6875 (18)
1300 (4921)	60 (1524)	86 (2185)	60 (1524)	141 (3582)	60 (1524)	44 (1118)	46 (1169)	54 (1372)	1.75 (45)	22 (559)	6 (153)	0.6875 (18)
1400 (5299)	60 (1524)	86 (2185)	76 (1931)	151 (3836)	60 (1524)	44 (1118)	46 (1169)	54 (1372)	1.75 (45)	22 (559)	6 (153)	0.6875 (18)
1500 (5678)	60 (1524)	86 (2185)	80 (2032)	159 (4039)	60 (1524)	44 (1118)	46 (1169)	54 (1372)	1.75 (45)	22 (559)	6 (153)	0.6875 (18)
1600 (6056)	72 (1829)	96 (2439)	44 (1118)	125 (3175)	70 (1778)	50 (1270)	50 (1270)	64 (1626)	2.75 (70)	28 (712)	8 (204)	1.0625 (27)
1800 (6813)	72 (1829)	96 (2439)	56 (1423)	138 (3506)	70 (1778)	50 (1270)	50 (1270)	64 (1626)	2.75 (70)	28 (712)	8 (204)	1.0625 (27)
1900 (7192)	72 (1829)	96 (2439)	60 (1524)	144 (3658)	70 (1778)	50 (1270)	50 (1270)	64 (1626)	2.75 (70)	28 (712)	8 (204)	1.0625 (27)
2000 (7570)	72 (1829)	96 (2439)	70 (1778)	151 (3836)	70 (1778)	50 (1270)	50 (1270)	64 (1626)	2.75 (70)	28 (712)	8 (204)	1.0625 (27)
2200 (8327)	72 (1829)	96 (2439)	80 (2032)	164 (4166)	70 (1778)	50 (1270)	50 (1270)	64 (1626)	2.75 (70)	28 (712)	8 (204)	1.0625 (27)
2400 (9084)	72 (1829)	96 (2439)	80 (2032)	177 (4496)	70 (1778)	50 (1270)	50 (1270)	64 (1626)	2.75 (70)	28 (712)	8 (204)	1.0625 (27)
2600 (9841)	72 (1829)	96 (2439)	100 (2540)	189 (4801)	70 (1778)	50 (1270)	50 (1270)	64 (1626)	2.75 (70)	28 (712)	8 (204)	1.0625 (27)
2800 (10598)	72 (1829)	96 (2439)	100 (2540)	202 (5131)	70 (1778)	50 (1270)	50 (1270)	64 (1626)	2.75 (70)	28 (712)	8 (204)	1.0625 (27)
3000 (11355)	72 (1829)	96 (2439)	120 (3048)	215 (5461)	70 (1778)	50 (1270)	50 (1270)	64 (1626)	2.75 (70)	28 (712)	8 (204)	1.0625 (27)
3200 (12112)	72 (1829)	96 (2439)	120 (3048)	228 (5792)	70 (1778)	50 (1270)	50 (1270)	64 (1626)	2.75 (70)	28 (712)	8 (204)	1.0625 (27)
3300 (12491)	72 (1829)	96 (2439)	120 (3048)	234 (5944)	70 (1778)	50 (1270)	50 (1270)	64 (1626)	2.75 (70)	28 (712)	8 (204)	1.0625 (27)

SOLBERG® PRE-PIPED BLADDER TANKS – HORIZONTAL & VERTICAL

DIMENSIONAL INFORMATION - VERTICAL



NOMINAL TANK SIZE	DIMENSIONS Inches (Millimeters)						
	A	B	C	E	F	G	H
Gallon (Litre)							
36 (136)	24 (610)	52 (1321)	46.5 (1182)	26 (661)	35 (889)	26.75 (680)	0.5625 (15)
50 (189)	24 (610)	60 (1524)	54.5 (1385)	26 (661)	42 (1067)	26.75 (680)	0.5625 (15)
100 (379)	24 (610)	89 (2261)	83.5 (2121)	26 (661)	45 (1143)	26.75 (680)	0.5625 (15)
150 (568)	30 (762)	88 (2236)	82.5 (2096)	29 (737)	48 (1220)	27.75 (705)	0.5625 (15)
200 (757)	30 (762)	107 (2718)	101 (2566)	29 (737)	48 (1220)	27.75 (705)	0.5625 (15)
300 (1136)	36 (915)	111 (2820)	105 (2667)	32 (813)	60 (1524)	32.75 (832)	0.5625 (15)
400 (1514)	42 (1067)	105 (2667)	99 (2515)	35 (889)	65 (1651)	41.5 (1055)	0.6875 (18)
500 (1893)	42 (1067)	130 (3302)	124 (3150)	35 (889)	65 (1651)	41.5 (1055)	0.6875 (18)
600 (2271)	48 (1220)	123 (3125)	117 (2972)	38 (966)	65 (1651)	41.5 (1055)	0.6875 (18)
700 (2650)	48 (1220)	137 (3480)	131 (3328)	38 (966)	65 (1651)	41.5 (1055)	0.6875 (18)
800 (3028)	48 (1220)	155 (3937)	149 (3785)	38 (966)	65 (1651)	51.5 (1309)	0.6875 (18)
900 (3407)	60 (1524)	125 (3175)	119 (3023)	44 (1118)	75 (1905)	51.5 (1309)	0.6875 (18)
1000 (3785)	60 (1524)	135 (3429)	129 (3277)	44 (1118)	75 (1905)	51.5 (1309)	0.8125 (21)
1100 (4164)	60 (1524)	144 (3658)	138 (3506)	44 (1118)	75 (1905)	51.5 (1309)	0.8125 (21)
1200 (4542)	60 (1524)	153 (3887)	147 (3734)	44 (1118)	75 (1905)	51.5 (1309)	0.8125 (21)
1300 (4921)	60 (1524)	163 (4141)	157 (3988)	44 (1118)	75 (1905)	51.5 (1309)	0.8125 (21)
1400 (5299)	60 (1524)	172 (4369)	166 (4217)	44 (1118)	75 (1905)	51.5 (1309)	0.8125 (21)
1500 (5678)	60 (1524)	181 (4598)	175 (4445)	44 (1118)	75 (1905)	51.5 (1309)	0.8125 (21)
1600 (6056)	72 (1829)	147 (3734)	141 (3582)	50 (1270)	80 (2032)	57.5 (1461)	0.8125 (21)
1700 (6435)	72 (1829)	153 (3887)	147 (3734)	50 (1270)	80 (2032)	57.5 (1461)	0.8125 (21)

SOLBERG® PRE-PIPED BLADDER TANKS – HORIZONTAL & VERTICAL

ORDERING INFORMATION - HORIZONTAL

BLADDER TANKS - HORIZONTAL / PRE-PIPED		APPROXIMATE EMPTY WEIGHT	
PART NO.	DESCRIPTION	lb	kg
22201B	Bladder Tank, Pre-piped w/2" Prop. 50 gallon Horizontal, Blue Enamel Finish	428.5	195
22201R	Bladder Tank, Pre-piped w/2" Prop. 50 gallon Horizontal, Red Enamel Finish	428.5	195
22202B	Bladder Tank, Pre-piped w/2-1/2" Prop. 50 gallon Horizontal, Blue Enamel Finish	451	205
22202R	Bladder Tank, Pre-piped w/2-1/2" Prop. 50 gallon Horizontal, Red Enamel Finish	451	205
22203B	Bladder Tank, Pre-piped w/2" Prop. 100 gallon Horizontal, Blue Enamel Finish	719.5	327
22203R	Bladder Tank, Pre-piped w/2" Prop. 100 gallon Horizontal, Red Enamel Finish	719.5	327
22204B	Bladder Tank, Pre-piped w/2-1/2" Prop. 100 gallon Horizontal, Blue Enamel Finish	742	337
22204R	Bladder Tank, Pre-piped w/2-1/2" Prop. 100 gallon Horizontal, Red Enamel Finish	742	337
22205B	Bladder Tank, Pre-piped w/3" Prop. 100 gallon Horizontal, Blue Enamel Finish	819.6	372
22205R	Bladder Tank, Pre-piped w/3" Prop. 100 gallon Horizontal, Red Enamel Finish	819.6	372
22206B	Bladder Tank, Pre-piped w/2-1/2" Prop. 150 gallon Horizontal, Blue Enamel Finish	1031	468
22206R	Bladder Tank, Pre-piped w/2-1/2" Prop. 150 gallon Horizontal, Red Enamel Finish	1031	468
22207B	Bladder Tank, Pre-piped w/3" Prop. 150 gallon Horizontal, Blue Enamel Finish	1108.6	503
22207R	Bladder Tank, Pre-piped w/3" Prop. 150 gallon Horizontal, Red Enamel Finish	1108.6	503
22208B	Bladder Tank, Pre-piped w/4" Prop. 150 gallon Horizontal, Blue Enamel Finish	1183.9	538
22208R	Bladder Tank, Pre-piped w/4" Prop. 150 gallon Horizontal, Red Enamel Finish	1183.9	538
22209B	Bladder Tank, Pre-piped w/3" Prop. 200 gallon Horizontal, Blue Enamel Finish	1305.6	593
22209R	Bladder Tank, Pre-piped w/3" Prop. 200 gallon Horizontal, Red Enamel Finish	1305.6	593
22210B	Bladder Tank, Pre-piped w/4" Prop. 200 gallon Horizontal, Blue Enamel Finish	1380.9	627
22210R	Bladder Tank, Pre-piped w/4" Prop. 200 gallon Horizontal, Red Enamel Finish	1380.9	627
22211B	Bladder Tank, Pre-piped w/6" Prop. 200 gallon Horizontal, Blue Enamel Finish	1536.3	697
22211R	Bladder Tank, Pre-piped w/6" Prop. 200 gallon Horizontal, Red Enamel Finish	1536.3	697
22212B	Bladder Tank, Pre-piped w/3" Prop. 300 gallon Horizontal, Blue Enamel Finish	1722.6	782
22212R	Bladder Tank, Pre-piped w/3" Prop. 300 gallon Horizontal, Red Enamel Finish	1722.6	782
22213B	Bladder Tank, Pre-piped w/4" Prop. 300 gallon Horizontal, Blue Enamel Finish	1797.9	816
22213R	Bladder Tank, Pre-piped w/4" Prop. 300 gallon Horizontal, Red Enamel Finish	1797.9	816
22214B	Bladder Tank, Pre-piped w/6" Prop. 300 gallon Horizontal, Blue Enamel Finish	1953.3	887
22214R	Bladder Tank, Pre-piped w/6" Prop. 300 gallon Horizontal, Red Enamel Finish	1953.3	887
22215B	Bladder Tank, Pre-piped w/4" Prop. 400 gallon Horizontal, Blue Enamel Finish	2113.9	959
22215R	Bladder Tank, Pre-piped w/4" Prop. 400 gallon Horizontal, Red Enamel Finish	2113.9	959
22216B	Bladder Tank, Pre-piped w/6" Prop. 400 gallon Horizontal, Blue Enamel Finish	2269.3	1030
22216R	Bladder Tank, Pre-piped w/6" Prop. 400 gallon Horizontal, Red Enamel Finish	2269.3	1030
22217B	Bladder Tank, Pre-piped w/8" Prop. 400 gallon Horizontal, Blue Enamel Finish	2505.2	1137
22217R	Bladder Tank, Pre-piped w/8" Prop. 400 gallon Horizontal, Red Enamel Finish	2505.2	1137
22218B	Bladder Tank, Pre-piped w/4" Prop. 500 gallon Horizontal, Blue Enamel Finish	2373.9	1077
22218R	Bladder Tank, Pre-piped w/4" Prop. 500 gallon Horizontal, Red Enamel Finish	2373.9	1077
22219B	Bladder Tank, Pre-piped w/6" Prop. 500 gallon Horizontal, Blue Enamel Finish	2529.3	1148
22219R	Bladder Tank, Pre-piped w/6" Prop. 500 gallon Horizontal, Red Enamel Finish	2529.3	1148
22220B	Bladder Tank, Pre-piped w/8" Prop. 500 gallon Horizontal, Blue Enamel Finish	2765.2	1255
22220R	Bladder Tank, Pre-piped w/8" Prop. 500 gallon Horizontal, Red Enamel Finish	2765.2	1255

SOLBERG® PRE-PIPED BLADDER TANKS – HORIZONTAL & VERTICAL

ORDERING INFORMATION - HORIZONTAL CONTINUED

BLADDER TANKS - HORIZONTAL / PRE-PIPED		APPROXIMATE EMPTY WEIGHT	
PART NO.	DESCRIPTION	lb	kg
22221B	Bladder Tank, Pre-piped w/4" Prop. 600 gallon Horizontal, Blue Enamel Finish	2480.9	1126
22221R	Bladder Tank, Pre-piped w/4" Prop. 600 gallon Horizontal, Red Enamel Finish	2480.9	1126
22222B	Bladder Tank, Pre-piped w/6" prop. 600 gallon Horizontal, Blue Enamel Finish	2636.3	1196
22222R	Bladder Tank, Pre-piped w/6" prop. 600 gallon Horizontal, Red Enamel Finish	2636.3	1196
22223B	Bladder Tank, Pre-piped w/8" prop. 600 gallon Horizontal, Blue Enamel Finish	2872.2	1303
22223R	Bladder Tank, Pre-piped w/8" prop. 600 gallon Horizontal, Red Enamel Finish	2872.2	1303
22224B	Bladder Tank, Pre-piped w/4" prop. 700 gallon Horizontal, Blue Enamel Finish	2887.9	1310
22224R	Bladder Tank, Pre-piped w/4" prop. 700 gallon Horizontal, Red Enamel Finish	2887.9	1310
22225B	Bladder Tank, Pre-piped w/6" prop. 700 gallon Horizontal, Blue Enamel Finish	3043.3	1381
22225R	Bladder Tank, Pre-piped w/6" prop. 700 gallon Horizontal, Red Enamel Finish	3043.3	1381
22226B	Bladder Tank, Pre-piped w/8" prop. 700 gallon Horizontal, Blue Enamel Finish	3279.2	1488
22226R	Bladder Tank, Pre-piped w/8" prop. 700 gallon Horizontal, Red Enamel Finish	3279.2	1488
22227B	Bladder Tank, Pre-piped w/4" prop. 800 gallon Horizontal, Blue Enamel Finish	3541.9	1607
22227R	Bladder Tank, Pre-piped w/4" prop. 800 gallon Horizontal, Red Enamel Finish	3541.9	1607
22228B	Bladder Tank, Pre-piped w/6" prop. 800 gallon Horizontal, Blue Enamel Finish	3697.3	1678
22228R	Bladder Tank, Pre-piped w/6" prop. 800 gallon Horizontal, Red Enamel Finish	3697.3	1678
22229B	Bladder Tank, Pre-piped w/8" prop. 800 gallon Horizontal, Blue Enamel Finish	3933.2	1785
22229R	Bladder Tank, Pre-piped w/8" prop. 800 gallon Horizontal, Red Enamel Finish	3933.2	1785
22230B	Bladder Tank, Pre-piped w/4" prop. 900 gallon Horizontal, Blue Enamel Finish	3898.9	1769
22230R	Bladder Tank, Pre-piped w/4" prop. 900 gallon Horizontal, Red Enamel Finish	3898.9	1769
22231B	Bladder Tank, Pre-piped w/6" prop. 900 gallon Horizontal, Blue Enamel Finish	4054.3	1839
22231R	Bladder Tank, Pre-piped w/6" prop. 900 gallon Horizontal, Red Enamel Finish	4054.3	1839
22232B	Bladder Tank, Pre-piped w/8" prop. 900 gallon Horizontal, Blue Enamel Finish	4290.2	1947
22232R	Bladder Tank, Pre-piped w/8" prop. 900 gallon Horizontal, Red Enamel Finish	4290.2	1947
22233B	Bladder Tank, Pre-piped w/4" prop. 1000 gallon Horizontal, Blue Enamel Finish	4115.9	1867
22233R	Bladder Tank, Pre-piped w/4" prop. 1000 gallon Horizontal, Red Enamel Finish	4115.9	1867
22234B	Bladder Tank, Pre-piped w/6" prop. 1000 gallon Horizontal, Blue Enamel Finish	4271.3	1938
22234R	Bladder Tank, Pre-piped w/6" prop. 1000 gallon Horizontal, Red Enamel Finish	4271.3	1938
22235B	Bladder Tank, Pre-piped w/8" prop. 1000 gallon Horizontal, Blue Enamel Finish	4507.2	2045
22235R	Bladder Tank, Pre-piped w/8" prop. 1000 gallon Horizontal, Red Enamel Finish	4507.2	2045
22236B	Bladder Tank, Pre-piped w/4" prop. 1100 gallon Horizontal, Blue Enamel Finish	4499.9	2042
22236R	Bladder Tank, Pre-piped w/4" prop. 1100 gallon Horizontal, Red Enamel Finish	4499.9	2042
22237B	Bladder Tank, Pre-piped w/6" prop. 1100 gallon Horizontal, Blue Enamel Finish	4655.3	2112
22237R	Bladder Tank, Pre-piped w/6" prop. 1100 gallon Horizontal, Red Enamel Finish	4655.3	2112
22238B	Bladder Tank, Pre-piped w/8" prop. 1100 gallon Horizontal, Blue Enamel Finish	4891.2	2219
22238R	Bladder Tank, Pre-piped w/8" prop. 1100 gallon Horizontal, Red Enamel Finish	4891.2	2219
22219B	Bladder Tank, Pre-piped w/6" Prop. 500 gallon Horizontal, Blue Enamel Finish	2529.3	1148
22219R	Bladder Tank, Pre-piped w/6" Prop. 500 gallon Horizontal, Red Enamel Finish	2529.3	1148
22220B	Bladder Tank, Pre-piped w/8" Prop. 500 gallon Horizontal, Blue Enamel Finish	2765.2	1255
22220R	Bladder Tank, Pre-piped w/8" Prop. 500 gallon Horizontal, Red Enamel Finish	2765.2	1255

SOLBERG® PRE-PIPED BLADDER TANKS – HORIZONTAL & VERTICAL

ORDERING INFORMATION - HORIZONTAL CONTINUED

BLADDER TANKS - HORIZONTAL / PRE-PIPED		APPROXIMATE EMPTY WEIGHT	
PART NO.	DESCRIPTION	lb	kg
22239B	Bladder Tank, Pre-piped w/4" prop. 1200 gallon Horizontal, Blue Enamel Finish	4566.9	2072
22239R	Bladder Tank, Pre-piped w/4" prop. 1200 gallon Horizontal, Red Enamel Finish	4566.9	2072
22240B	Bladder Tank, Pre-piped w/6" prop. 1200 gallon Horizontal, Blue Enamel Finish	4722.3	2142
22240R	Bladder Tank, Pre-piped w/6" prop. 1200 gallon Horizontal, Red Enamel Finish	4722.3	2142
22241B	Bladder Tank, Pre-piped w/8" prop. 1200 gallon Horizontal, Blue Enamel Finish	4958.2	2250
22241R	Bladder Tank, Pre-piped w/8" prop. 1200 gallon Horizontal, Red Enamel Finish	4958.2	2250
22242B	Bladder Tank, Pre-piped w/4" prop. 1300 gallon Horizontal, Blue Enamel Finish	4869.9	2209
22242R	Bladder Tank, Pre-piped w/4" prop. 1300 gallon Horizontal, Red Enamel Finish	4869.9	2209
22243B	Bladder Tank, Pre-piped w/6" prop. 1300 gallon Horizontal, Blue Enamel Finish	5025.3	2280
22243R	Bladder Tank, Pre-piped w/6" prop. 1300 gallon Horizontal, Red Enamel Finish	5025.3	2280
22244B	Bladder Tank, Pre-piped w/8" prop. 1300 gallon Horizontal, Blue Enamel Finish	5261.2	2387
22244R	Bladder Tank, Pre-piped w/8" prop. 1300 gallon Horizontal, Red Enamel Finish	5261.2	2387
22245B	Bladder Tank, Pre-piped w/4" prop. 1400 gallon Horizontal, Blue Enamel Finish	5156.9	2340
22245R	Bladder Tank, Pre-piped w/4" prop. 1400 gallon Horizontal, Red Enamel Finish	5156.9	2340
22246B	Bladder Tank, Pre-piped w/6" prop. 1400 gallon Horizontal, Blue Enamel Finish	5312.3	2410
22246R	Bladder Tank, Pre-piped w/6" prop. 1400 gallon Horizontal, Red Enamel Finish	5312.3	2410
22247B	Bladder Tank, Pre-piped w/8" prop. 1400 gallon Horizontal, Blue Enamel Finish	5548.2	2517
22247R	Bladder Tank, Pre-piped w/8" prop. 1400 gallon Horizontal, Red Enamel Finish	5548.2	2517
22248B	Bladder Tank, Pre-piped w/4" prop. 1500 gallon Horizontal, Blue Enamel Finish	5537.9	2512
22248R	Bladder Tank, Pre-piped w/4" prop. 1500 gallon Horizontal, Red Enamel Finish	5537.9	2512
22249B	Bladder Tank, Pre-piped w/6" prop. 1500 gallon Horizontal, Blue Enamel Finish	5693.3	2583
22249R	Bladder Tank, Pre-piped w/6" prop. 1500 gallon Horizontal, Red Enamel Finish	5693.3	2583
22250B	Bladder Tank, Pre-piped w/8" prop. 1500 gallon Horizontal, Blue Enamel Finish	5929.2	2690
22250R	Bladder Tank, Pre-piped w/8" prop. 1500 gallon Horizontal, Red Enamel Finish	5929.2	2690
22251B	Bladder Tank, Pre-piped w/4" prop. 1600 gallon Horizontal, Blue Enamel Finish	4934.9	2239
22251R	Bladder Tank, Pre-piped w/4" prop. 1600 gallon Horizontal, Red Enamel Finish	4934.9	2239
22252B	Bladder Tank, Pre-piped w/6" prop. 1600 gallon Horizontal, Blue Enamel Finish	5090.3	2309
22252R	Bladder Tank, Pre-piped w/6" prop. 1600 gallon Horizontal, Red Enamel Finish	5090.3	2309
22253B	Bladder Tank, Pre-piped w/8" prop. 1600 gallon Horizontal, Blue Enamel Finish	5326.2	2416
22253R	Bladder Tank, Pre-piped w/8" prop. 1600 gallon Horizontal, Red Enamel Finish	5326.2	2416
22254B	Bladder Tank, Pre-piped w/6" prop. 1800 gallon Horizontal, Blue Enamel Finish	5453.3	2474
22254R	Bladder Tank, Pre-piped w/6" prop. 1800 gallon Horizontal, Red Enamel Finish	5453.3	2474
22255B	Bladder Tank, Pre-piped w/8" prop. 1800 gallon Horizontal, Blue Enamel Finish	5689.2	2581
22255R	Bladder Tank, Pre-piped w/8" prop. 1800 gallon Horizontal, Red Enamel Finish	5689.2	2581
22256B	Bladder Tank, Pre-piped w/6" prop. 1900 gallon Horizontal, Blue Enamel Finish	5678.3	2576
22256R	Bladder Tank, Pre-piped w/6" prop. 1900 gallon Horizontal, Red Enamel Finish	5678.3	2576
22257B	Bladder Tank, Pre-piped w/8" prop. 1900 gallon Horizontal, Blue Enamel Finish	5914.2	2683
22257R	Bladder Tank, Pre-piped w/8" prop. 1900 gallon Horizontal, Red Enamel Finish	5914.2	2683

SOLBERG® PRE-PIPED BLADDER TANKS – HORIZONTAL & VERTICAL

ORDERING INFORMATION - HORIZONTAL CONTINUED

BLADDER TANKS - HORIZONTAL / PRE-PIPED		APPROXIMATE EMPTY WEIGHT	
PART NO.	DESCRIPTION	lb	kg
22258B	Bladder Tank, Pre-piped w/6" prop. 2000 gallon Horizontal, Blue Enamel Finish	5903.3	2678
22258R	Bladder Tank, Pre-piped w/6" prop. 2000 gallon Horizontal, Red Enamel Finish	5903.3	2678
22259B	Bladder Tank, Pre-piped w/8" prop. 2000 gallon Horizontal, Blue Enamel Finish	6139.2	2785
22259R	Bladder Tank, Pre-piped w/8" prop. 2000 gallon Horizontal, Red Enamel Finish	6139.2	2785
22260B	Bladder Tank, Pre-piped w/6" prop. 2200 gallon Horizontal, Blue Enamel Finish	6286.3	2852
22260R	Bladder Tank, Pre-piped w/6" prop. 2200 gallon Horizontal, Red Enamel Finish	6286.3	2852
22261B	Bladder Tank, Pre-piped w/8" prop. 2200 gallon Horizontal, Blue Enamel Finish	6522.2	2959
22261R	Bladder Tank, Pre-piped w/8" prop. 2200 gallon Horizontal, Red Enamel Finish	6522.2	2959
22262B	Bladder Tank, Pre-piped w/6" prop. 2400 gallon Horizontal, Blue Enamel Finish	6698.3	3039
22262R	Bladder Tank, Pre-piped w/6" prop. 2400 gallon Horizontal, Red Enamel Finish	6698.3	3039
22263B	Bladder Tank, Pre-piped w/8" prop. 2400 gallon Horizontal, Blue Enamel Finish	6934.2	3146
22263R	Bladder Tank, Pre-piped w/8" prop. 2400 gallon Horizontal, Red Enamel Finish	6934.2	3146
22264B	Bladder Tank, Pre-piped w/6" prop. 2600 gallon Horizontal, Blue Enamel Finish	7098.3	3220
22264R	Bladder Tank, Pre-piped w/6" prop. 2600 gallon Horizontal, Red Enamel Finish	7098.3	3220
22265B	Bladder Tank, Pre-piped w/8" prop. 2600 gallon Horizontal, Blue Enamel Finish	7334.2	3327
22265R	Bladder Tank, Pre-piped w/8" prop. 2600 gallon Horizontal, Red Enamel Finish	7334.2	3327
22266B	Bladder Tank, Pre-piped w/6" prop. 2800 gallon Horizontal, Blue Enamel Finish	7477.3	3392
22266R	Bladder Tank, Pre-piped w/6" prop. 2800 gallon Horizontal, Red Enamel Finish	7477.3	3392
22267B	Bladder Tank, Pre-piped w/8" prop. 2800 gallon Horizontal, Blue Enamel Finish	7713.2	3499
22267R	Bladder Tank, Pre-piped w/8" prop. 2800 gallon Horizontal, Red Enamel Finish	7713.2	3499
22268B	Bladder Tank, Pre-piped w/6" prop. 3000 gallon Horizontal, Blue Enamel Finish	7877.3	3574
22268R	Bladder Tank, Pre-piped w/6" prop. 3000 gallon Horizontal, Red Enamel Finish	7877.3	3574
22269B	Bladder Tank, Pre-piped w/8" prop. 3000 gallon Horizontal, Blue Enamel Finish	8113.2	3681
22269R	Bladder Tank, Pre-piped w/8" prop. 3000 gallon Horizontal, Red Enamel Finish	8113.2	3681
22270B	Bladder Tank, Pre-piped w/6" prop. 3200 gallon Horizontal, Blue Enamel Finish	8279.3	3756
22270R	Bladder Tank, Pre-piped w/6" prop. 3200 gallon Horizontal, Red Enamel Finish	8279.3	3756
22271B	Bladder Tank, Pre-piped w/8" prop. 3200 gallon Horizontal, Blue Enamel Finish	8515.2	3863
22271R	Bladder Tank, Pre-piped w/8" prop. 3200 gallon Horizontal, Red Enamel Finish	8515.2	3863
22272B	Bladder Tank, Pre-piped w/6" prop. 3300 gallon Horizontal, Blue Enamel Finish	8499.3	3856
22272R	Bladder Tank, Pre-piped w/6" prop. 3300 gallon Horizontal, Red Enamel Finish	8499.3	3856
22273B	Bladder Tank, Pre-piped w/8" prop. 3300 gallon Horizontal, Blue Enamel Finish	8735.2	3963
22273R	Bladder Tank, Pre-piped w/8" prop. 3300 gallon Horizontal, Red Enamel Finish	8735.2	3963

SOLBERG® PRE-PIPED BLADDER TANKS – HORIZONTAL & VERTICAL

ORDERING INFORMATION - VERTICAL CONTINUED

BLADDER TANKS - VERTICAL / PRE-PIPED		APPROXIMATE EMPTY WEIGHT	
PART NO.	DESCRIPTION	lb	kg
22618B	Bladder Tank, Pre-piped w/4" Prop. 500 gallon Vertical, Blue Enamel Finish	1701	772
22618R	Bladder Tank, Pre-piped w/4" Prop. 500 gallon Vertical, Red Enamel Finish	1701	772
22619B	Bladder Tank, Pre-piped w/6" Prop. 500 gallon Vertical, Blue Enamel Finish	1857.1	843
22619R	Bladder Tank, Pre-piped w/6" Prop. 500 gallon Vertical, Red Enamel Finish	1857.1	843
22620B	Bladder Tank, Pre-piped w/8" Prop. 500 gallon Vertical, Blue Enamel Finish	2094.6	951
22620R	Bladder Tank, Pre-piped w/8" Prop. 500 gallon Vertical, Red Enamel Finish	2094.6	951
22621B	Bladder Tank, Pre-piped w/4" Prop. 600 gallon Vertical, Blue Enamel Finish	1796	815
22621R	Bladder Tank, Pre-piped w/4" Prop. 600 gallon Vertical, Red Enamel Finish	1796	815
22622B	Bladder Tank, Pre-piped w/6" Prop. 600 gallon Vertical, Blue Enamel Finish	1952.1	886
22622R	Bladder Tank, Pre-piped w/6" Prop. 600 gallon Vertical, Red Enamel Finish	1952.1	886
22623B	Bladder Tank, Pre-piped w/8" Prop. 600 gallon Vertical, Blue Enamel Finish	2189.6	994
22623R	Bladder Tank, Pre-piped w/8" Prop. 600 gallon Vertical, Red Enamel Finish	2189.6	994
22624B	Bladder Tank, Pre-piped w/4" Prop. 700 gallon Vertical, Blue Enamel Finish	1926	874
22624R	Bladder Tank, Pre-piped w/4" Prop. 700 gallon Vertical, Red Enamel Finish	1926	874
22625B	Bladder Tank, Pre-piped w/6" Prop. 700 gallon Vertical, Blue Enamel Finish	2082.1	945
22625R	Bladder Tank, Pre-piped w/6" Prop. 700 gallon Vertical, Red Enamel Finish	2082.1	945
22626B	Bladder Tank, Pre-piped w/8" Prop. 700 gallon Vertical, Blue Enamel Finish	2319.6	1053
22626R	Bladder Tank, Pre-piped w/8" Prop. 700 gallon Vertical, Red Enamel Finish	2319.6	1053
22627B	Bladder Tank, Pre-piped w/4" Prop. 800 gallon Vertical, Blue Enamel Finish	2126	965
22627R	Bladder Tank, Pre-piped w/4" Prop. 800 gallon Vertical, Red Enamel Finish	2126	965
22628B	Bladder Tank, Pre-piped w/6" Prop. 800 gallon Vertical, Blue Enamel Finish	2282.1	1036
22628R	Bladder Tank, Pre-piped w/6" Prop. 800 gallon Vertical, Red Enamel Finish	2282.1	1036
22629B	Bladder Tank, Pre-piped w/8" Prop. 800 gallon Vertical, Blue Enamel Finish	2519.6	1143
22629R	Bladder Tank, Pre-piped w/8" Prop. 800 gallon Vertical, Red Enamel Finish	2519.6	1143
22630B	Bladder Tank, Pre-piped w/4" Prop. 900 gallon Vertical, Blue Enamel Finish	2447.2	1111
22630R	Bladder Tank, Pre-piped w/4" Prop. 900 gallon Vertical, Red Enamel Finish	2447.2	1111
22631B	Bladder Tank, Pre-piped w/6" Prop. 900 gallon Vertical, Blue Enamel Finish	2604.2	1182
22631R	Bladder Tank, Pre-piped w/6" Prop. 900 gallon Vertical, Red Enamel Finish	2604.2	1182
22632B	Bladder Tank, Pre-piped w/8" Prop. 900 gallon Vertical, Blue Enamel Finish	2843	1290
22632R	Bladder Tank, Pre-piped w/8" Prop. 900 gallon Vertical, Red Enamel Finish	2843	1290
22633B	Bladder Tank, Pre-piped w/4" Prop. 1000 gallon Vertical, Blue Enamel Finish	2847.2	1292
22633R	Bladder Tank, Pre-piped w/4" Prop. 1000 gallon Vertical, Red Enamel Finish	2847.2	1292
22634B	Bladder Tank, Pre-piped w/6" Prop. 1000 gallon Vertical, Blue Enamel Finish	3004.2	1363
22634R	Bladder Tank, Pre-piped w/6" Prop. 1000 gallon Vertical, Red Enamel Finish	3004.2	1363
22635B	Bladder Tank, Pre-piped w/8" Prop. 1000 gallon Vertical, Blue Enamel Finish	3243	1472
22635R	Bladder Tank, Pre-piped w/8" Prop. 1000 gallon Vertical, Red Enamel Finish	3243	1472

SOLBERG® PRE-PIPED BLADDER TANKS – HORIZONTAL & VERTICAL

ORDERING INFORMATION - VERTICAL CONTINUED

RATIO CONTROLLERS / BETWEEN FLANGE		APPROXIMATE SHIPPING WEIGHT	
PART NO.	DESCRIPTION	lb	kg
30104	Ratio Controller - Between Flange, 3.0" (76 mm), RE-HEALING RF3, 3%	10	4
30108	Ratio Controller - Between Flange, 3.0" (76 mm), RE-HEALING RF6, 6%	10	4
30112	Ratio Controller - Between Flange, 3.0" (76 mm), SOLBERG HIGH-EXPANSION	10	4
30120	Ratio Controller - Between Flange, 3.0" (76 mm), ARCTIC 1% SP AFFF	10	4
30121	Ratio Controller - Between Flange, 3.0" (76 mm), ARCTIC 3% AFFF	10	4
30123	Ratio Controller - Between Flange, 3.0" (76 mm), ARCTIC 3% MIL-SPEC AFFF	10	4
30122	Ratio Controller - Between Flange, 3.0" (76 mm), ARCTIC 3x3% ATC	10	4
30105	Ratio Controller - Between Flange, 4.0" (102 mm), RE-HEALING RF3, 3%	16	7
30109	Ratio Controller - Between Flange, 4.0" (102 mm), RE-HEALING RF6, 6%	16	7
30113	Ratio Controller - Between Flange, 4.0" (102 mm), SOLBERG HIGH-EXPANSION	16	7
30130	Ratio Controller - Between Flange, 4.0" (102 mm), ARCTIC 1% AFFF	16	7
30134	Ratio Controller - Between Flange, 4.0" (102 mm), ARCTIC 1% SP AFFF	16	7
30131	Ratio Controller - Between Flange, 4.0" (102 mm), ARCTIC 3% AFFF	16	7
30133	Ratio Controller - Between Flange, 4.0" (102 mm), ARCTIC 3% MIL-SPEC AFFF	16	7
30132	Ratio Controller - Between Flange, 4.0" (102 mm), ARCTIC 3x3% ATC	16	7
30106	Ratio Controller - Between Flange, 6.0" (152 mm), RE-HEALING RF3, 3%	32	14
30110	Ratio Controller - Between Flange, 6.0" (152 mm), RE-HEALING RF6, 6%	32	14
30114	Ratio Controller - Between Flange, 6.0" (152 mm), SOLBERG HIGH-EXPANSION	32	14
30140	Ratio Controller - Between Flange, 6.0" (152 mm), ARCTIC 1% AFFF	32	14
30144	Ratio Controller - Between Flange, 6.0" (152 mm), ARCTIC 1% SP AFFF	32	14
30141	Ratio Controller - Between Flange, 6.0" (152 mm), ARCTIC 3% AFFF	32	14
30143	Ratio Controller - Between Flange, 6.0" (152 mm), ARCTIC 3% MIL-SPEC AFFF	32	14
30142	Ratio Controller - Between Flange, 6.0" (152 mm), ARCTIC 3x3% ATC	32	14
30107	Ratio Controller - Between Flange, 8.0" (203 mm), RE-HEALING RF3, 3%	53	24
30111	Ratio Controller - Between Flange, 8.0" (203 mm), RE-HEALING RF6, 6%	53	24
30115	Ratio Controller - Between Flange, 8.0" (203 mm), SOLBERG HIGH-EXPANSION	53	24
30150	Ratio Controller - Between Flange, 8.0" (203 mm), ARCTIC 1% SP AFFF	53	24
30151	Ratio Controller - Between Flange, 8.0" (203 mm), ARCTIC 3% AFFF	53	24
30153	Ratio Controller - Between Flange, 8.0" (203 mm), ARCTIC 3% MIL-SPEC AFFF	53	24
30152	Ratio Controller - Between Flange, 8.0" (203 mm), ARCTIC 3x3% ATC	53	24



Solutions That Save.

FOR MORE INFORMATION

Contact any of our worldwide Perimeter Solutions Fire Safety offices or visit:

www.Perimeter-Solutions.com

UNITED STATES

10667 Jersey Blvd.
Rancho Cucamonga, CA 91730
Tel: +1 800 682 3626
Tel: +1 909 983 0772
salesfoamusa@perimeter-solutions.com

EMEA

Polígono de Baiña, Parcela 23
33682 Mieres (Asturias)
Spain
Tel: +34 985 24 29 45
salesfoamea@perimeter-solutions.com

ASIA PACIFIC

3 Charles Street
St Marys NSW 2760 – Australia
Tel: +61 2 9673 5300
salesfoamapac@perimeter-solutions.com

perimeter-solutions.com

NOTICE PERIMETER SOLUTIONS MAKES NO REPRESENTATIONS OR WARRANTIES AS TO THE COMPLETENESS OR ACCURACY OF THE INFORMATION INCLUDED HEREIN. THE INFORMATION CONTAINED HEREIN IS NOT INTENDED TO PROVIDE REGULATORY, LEGAL OR EXPERT ADVICE RELATING TO THE PRODUCTS, ITS APPLICATION OR USES. NOTHING CONTAINED HEREIN IS TO BE CONSTRUED AS A RECOMMENDATION TO USE ANY PRODUCT, PROCESS, EQUIPMENT OR FORMULATION IN CONFLICT WITH ANY INDUSTRIAL PROPERTY OR INTELLECTUAL PROPERTY RIGHTS, AND PERIMETER SOLUTIONS MAKES NO REPRESENTATION OR WARRANTY, EXPRESS OR IMPLIED, THAT THE USE THEREOF WILL NOT INFRINGE ON ANY INDUSTRIAL PROPERTY OR INTELLECTUAL PROPERTY RIGHTS. NO REPRESENTATIONS OR WARRANTIES, EITHER EXPRESSED OR IMPLIED, OF MERCHANTABILITY, FITNESS FOR A PARTICULAR PURPOSE OR OF ANY OTHER NATURE ARE MADE HEREUNDER WITH RESPECT TO THE INFORMATION CONTAINED HEREIN.