

SOLBERG® FOAM RATIO CONTROLLER (Between Flange)



FEATURES

- Compatible with all type foam concentrates
- Fresh or saltwater use
- Proportions at 1%, 3% or 6%
- Vertical or horizontal position for installation versatility
- Bronze construction for durability and performance

DESCRIPTION

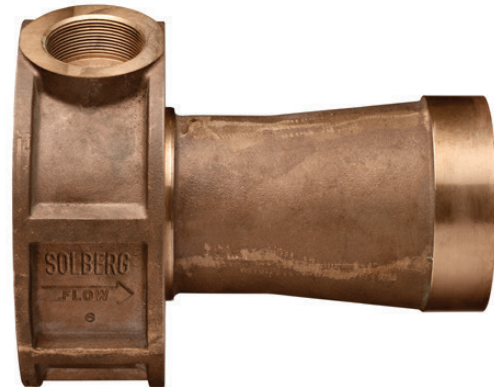
SOLBERG® Ratio Controllers are modified venturi devices designed to meter the correct amount of foam concentrate into a water stream over a specified range of flow and pressure rates with minimal pressure loss. The ratio controller consists of three components: the body with water inlet, metering orifice located in the foam concentrate inlet, and throat (nozzle) located downstream from the water inlet. The ratio controller is manufactured in four sizes 3.0", 4.0", 6.0" and 8.0" (76 mm, 102 mm, 152 mm, 203 mm).

Application

SOLBERG Ratio Controllers are commonly used in bladder tank systems, balanced or inline balanced* pressure proportioning systems for aircraft hangars, loading racks, tank farms, and foam-water sprinkler systems.

Specifications

The SOLBERG Ratio Controller is designed for installation between two Class 150 flanges of the same nominal size as the ratio controller. The components are constructed of ASTM 85-5-5-5 bronze and the inlet is tapered and machined to a smooth



finish to maximize water stream efficiency. The inlet nozzle and metering orifice are secured by a stainless steel retaining ring. The foam concentrate inlet has a female NPT thread and contains a foam concentrate metering orifice to proportion over the specified flow range without any manual adjustment. The SOLBERG Foam Ratio Controller is to be installed with a minimum of 5 pipe diameters of straight pipe both upstream and downstream of the proportioner.

CERTIFICATIONS

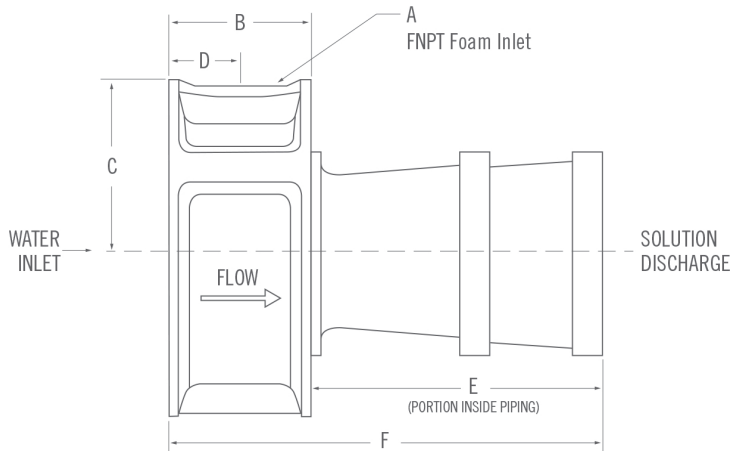
Underwriters Laboratories, Inc. (UL) Listed – Standard 162, FM Approved per Approval Standard 5130.

*Not an FM Approved Configuration

SOLBERG® FOAM RATIO CONTROLLER (Between Flange)

DIMENSIONAL INFORMATION

MODEL	APPROXIMATE DIMENSIONS Inches (Millimeters)						STANDARD CONCENTRATE LINE SIZES
	A	B	C	D	E	F	
3.0" SRCW	1.25 (32)	2.38 (60)	2.63 (67)	1.25 (32)	3.75 (95)	6.13 (156)	1.25
4.0" SRCW	1.50 (38)	2.63 (67)	3.38 (86)	1.31 (33)	5.38 (137)	8.00 (203)	1.50
6.0" SRCW	2.00 (51)	3.25 (83)	4.25 (108)	1.63 (41)	8.75 (222)	12.00 (305)	2.00
8.0" SRCW	2.50 (64)	3.50 (89)	5.25 (133)	1.75 (44)	8.50 (216)	12.00 (305)	2.50



Note: 1%, 3% or 6% proportioning and type of foam concentrate to be specified by customer.

FLOW RANGE

UL LISTED - NOMINAL FLOW

MODEL	CONFIGURATION	SOLBERG RE-HEALING™ RF3, 3% gpm (lpm)	SOLBERG ARCTIC™ 1% SP AFF gpm (lpm)	SOLBERG ARCTIC 3% AFF gpm (lpm)"	SOLBERG ARCTIC 3% MIL-SPEC AFF gpm (lpm)"	SOLBERG ARCTIC 3x3% ATC gpm (lpm)"	SOLBERG VERSAGARD™ AS-100	SOLBERG RE-HEALING 3x3 SP-100
3.0" SRCW	Between Flange	169-690 (639-2612)	78-736 (295-2786)	93-768 (352-2907)	96-550 (363-2082)	206-812 (780-3074)	439-762 (1662-2884)	210-570 (794-2158)
4.0" SRCW	Between Flange	254-1390 (961-5262)	140-1360 (530-5148)	207-1532 (784-5799)	210-1335 (795-5053)	329-1530 (1245-5792)	478-1420 (1809-5375)	430-1371 (1628-5190)
6.0" SRCW	Between Flange	880-2726 (3331-10319)	388-2830 (1469-10713)	318-2680 (1204-10145)	295-2250 (1117-8516)	736-2667 (2786-10096)	1073-2824 (4062-10690)	870-2893 (3293-10951)
8.0" SRCW	Between Flange	1909-4718 (7223-17860)	630-4920 (2385-18624)	975-4355 (3691-16485)	975-4250 (3690-16086)	1670-4590 (6322-17375)	2209-4305 (8362-16296)	2324-5001 (8797-18930)

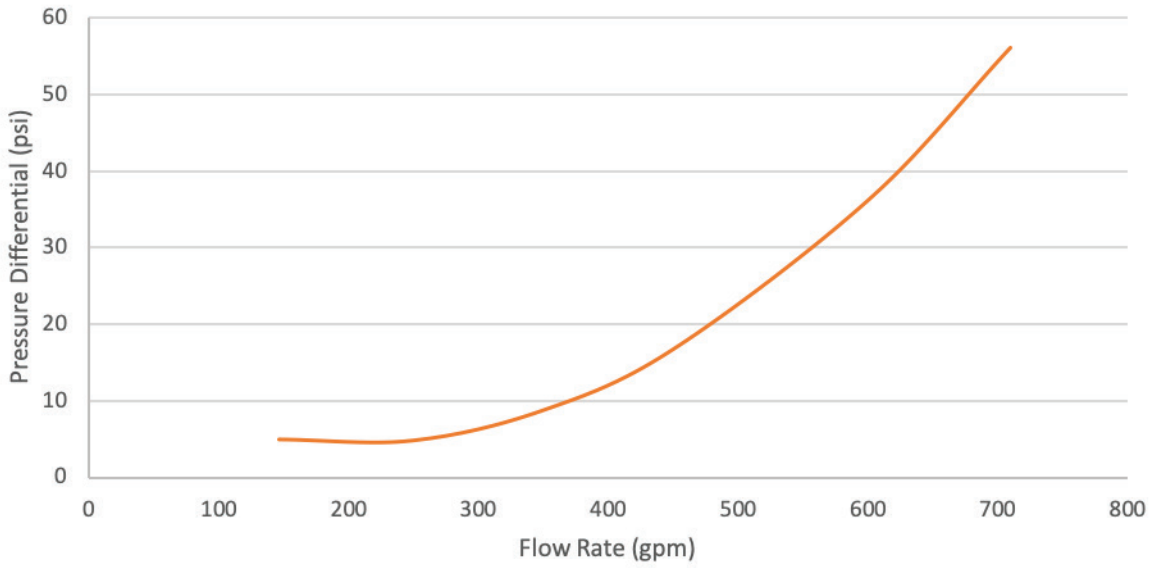
FM APPROVED - NOMINAL FLOW

MODEL	CONFIGURATION	SOLBERG RE-HEALING RF3, 3% gpm (lpm)	SOLBERG RE-HEALING RF3, 3% gpm (lpm)
3.0" SRCW	Between Flange	490-665 (1855-2517)	206-785 (780-2971)
4.0" SRCW	Between Flange	700-1215 (2650-4600)	238-1153 (900-4365)
6.0" SRCW	Between Flange	1310-1955 (4960-7552)	730-2245 (2763-8498)

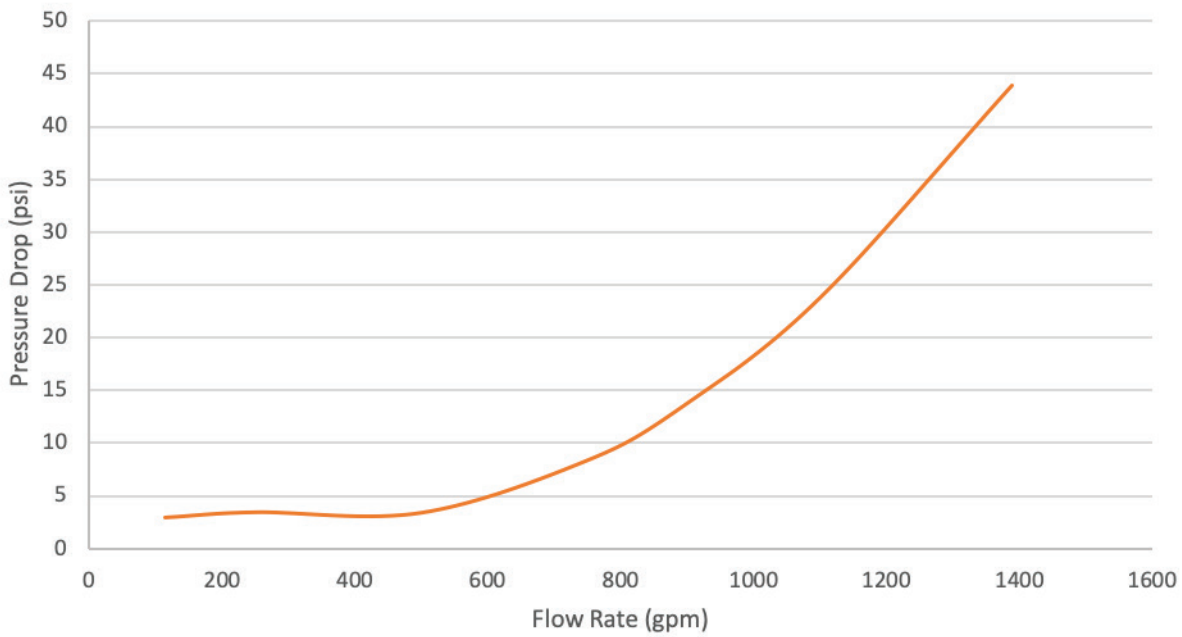
SOLBERG® FOAM RATIO CONTROLLER (Between Flange)

PRESSURE LOSS CURVES

3" Ratio Controller Pressure Drop



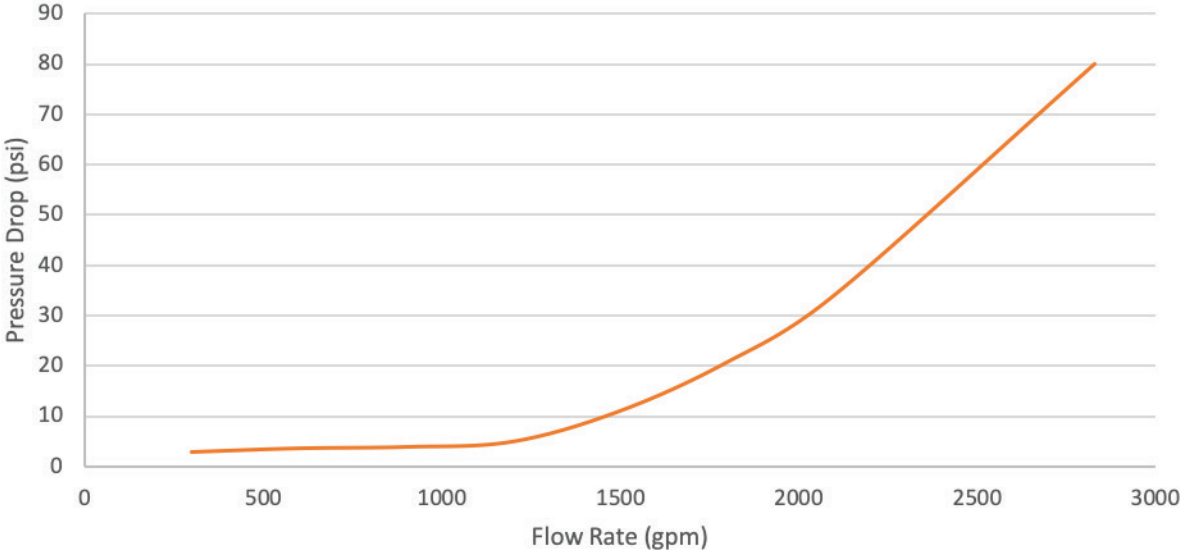
4" Ratio Controller Pressure Drop



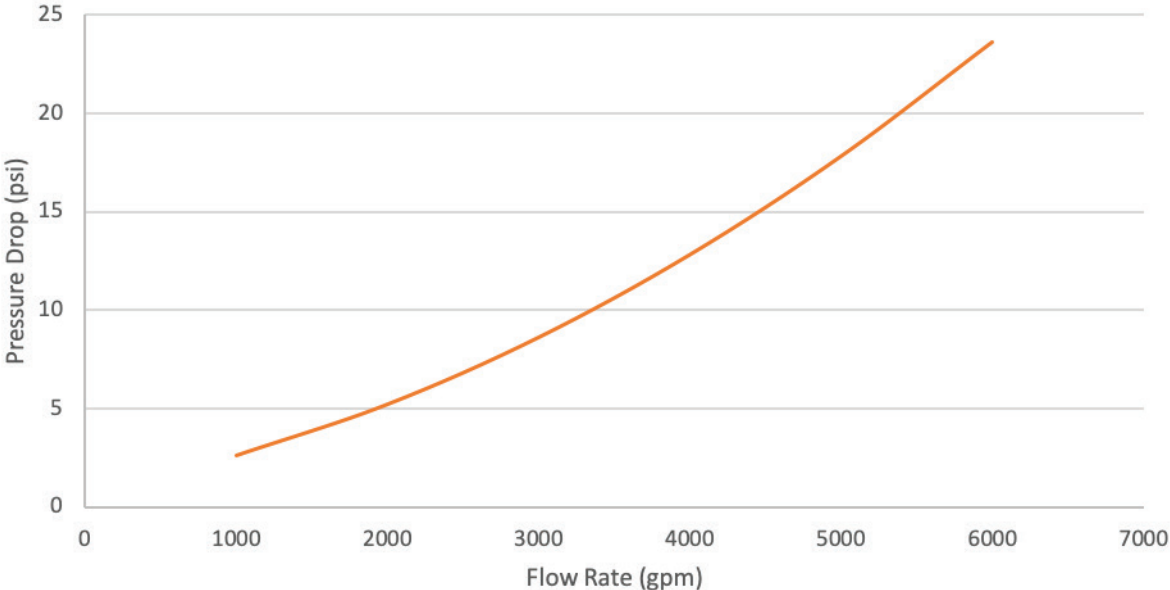
SOLBERG® FOAM RATIO CONTROLLER (Between Flange)

PRESSURE LOSS CURVES

6" Ratio Controller Pressure Drop



8" Ratio Controller Pressure Drop



SOLBERG® FOAM RATIO CONTROLLER (Between Flange)

ORDERING INFORMATION

RATIO CONTROLLERS / BETWEEN FLANGE		APPROXIMATE SHIPPING WEIGHT	
PART NO.	DESCRIPTION	lb	kg
30104	Ratio Controller - Between Flange, 3.0" (76 mm), SOLBERG RE-HEALING RF3, 3%	10	4
30108	Ratio Controller - Between Flange, 3.0" (76 mm), SOLBERG RE-HEALING RF6, 6%	10	4
30112	Ratio Controller - Between Flange, 3.0" (76 mm), SOLBERG HIGH-EXPANSION	10	4
30120	Ratio Controller - Between Flange, 3.0" (76 mm), SOLBERG ARCTIC 1% SP AFFF	10	4
30121	Ratio Controller - Between Flange, 3.0" (76 mm), SOLBERG ARCTIC 3% AFFF	10	4
30123	Ratio Controller - Between Flange, 3.0" (76 mm), SOLBERG ARCTIC 3% MIL-SPEC AFFF	10	4
30122	Ratio Controller - Between Flange, 3.0" (76 mm), SOLBERG ARCTIC 3x3% ATC	10	4
30124	Ratio Controller - Between Flange, 3.0" (76 mm), 3x3 ATC/SFFF - Versagard AS-100	10	4
30125	Ratio Controller - Between Flange, 3.0" (76 mm), 3x3 ATC/SFFF - RE-HEALING 3x3 SP-100	10	4
30105	Ratio Controller - Between Flange, 4.0" (102 mm), SOLBERG RE-HEALING RF3, 3%	16	7
30109	Ratio Controller - Between Flange, 4.0" (102 mm), SOLBERG RE-HEALING RF6, 6%	16	7
30113	Ratio Controller - Between Flange, 4.0" (102 mm), SOLBERG HIGH-EXPANSION	16	7
30130	Ratio Controller - Between Flange, 4.0" (102 mm), SOLBERG ARCTIC 1% AFFF	16	7
30134	Ratio Controller - Between Flange, 4.0" (102 mm), SOLBERG ARCTIC 1% SP AFFF	16	7
30131	Ratio Controller - Between Flange, 4.0" (102 mm), SOLBERG ARCTIC 3% AFFF	16	7
30133	Ratio Controller - Between Flange, 4.0" (102 mm), SOLBERG ARCTIC 3% MIL-SPEC AFFF	16	7
30132	Ratio Controller - Between Flange, 4.0" (102 mm), SOLBERG ARCTIC 3x3% ATC	16	7
30136	Ratio Controller - Between Flange, 4.0" (102 mm), 3x3 ATC/SFFF - Versagard AS-100	16	7
30137	Ratio Controller - Between Flange, 4.0" (102 mm), RE-HEALING 3x3 SP-100	16	7
30106	Ratio Controller - Between Flange, 6.0" (152 mm), SOLBERG RE-HEALING RF3, 3%	32	14
30110	Ratio Controller - Between Flange, 6.0" (152 mm), SOLBERG RE-HEALING RF6, 6%	32	14
30114	Ratio Controller - Between Flange, 6.0" (152 mm), SOLBERG HIGH-EXPANSION	32	14
30140	Ratio Controller - Between Flange, 6.0" (152 mm), SOLBERG ARCTIC 1% AFFF	32	14
30144	Ratio Controller - Between Flange, 6.0" (152 mm), SOLBERG ARCTIC 1% SP AFFF	32	14
30141	Ratio Controller - Between Flange, 6.0" (152 mm), SOLBERG ARCTIC 3% AFFF	32	14
30143	Ratio Controller - Between Flange, 6.0" (152 mm), SOLBERG ARCTIC 3% MIL-SPEC AFFF	32	14
30142	Ratio Controller - Between Flange, 6.0" (152 mm), SOLBERG ARCTIC 3x3% ATC	32	14
30145	Ratio Controller - Between Flange, 6.0" (152 mm), 3x3 ATC/SFFF - Versagard AS-100	32	14
30146	Ratio Controller - Between Flange, 6.0" (152 mm), 3x3 ATC/SFFF - RE-HEALING 3x3 SP-100	32	14
30107	Ratio Controller - Between Flange, 8.0" (203 mm), SOLBERG RE-HEALING RF3, 3%	53	24
30111	Ratio Controller - Between Flange, 8.0" (203 mm), SOLBERG RE-HEALING RF6, 6%	53	24
30115	Ratio Controller - Between Flange, 8.0" (203 mm), SOLBERG HIGH-EXPANSION	53	24
30150	Ratio Controller - Between Flange, 8.0" (203 mm), SOLBERG ARCTIC 1% SP AFFF	53	24
30151	Ratio Controller - Between Flange, 8.0" (203 mm), SOLBERG ARCTIC 3% AFFF	53	24
30153	Ratio Controller - Between Flange, 8.0" (203 mm), SOLBERG ARCTIC 3% MIL-SPEC AFFF	53	24
30152	Ratio Controller - Between Flange, 8.0" (203 mm), SOLBERG ARCTIC 3x3% ATC	53	24
30155	Ratio Controller - Between Flange, 8.0" (203 mm), 3x3 ATC/SFFF - Versagard AS-100	53	24
30156	Ratio Controller - Between Flange, 8.0" (203 mm), 3x3 ATC/SFFF - RE-HEALING 3x3 SP-100	53	24

SOLBERG® FOAM RATIO CONTROLLER (Between Flange)



Solutions That Save.

FOR MORE INFORMATION

Contact any of our worldwide Perimeter Solutions Fire Safety offices or visit:

www.Perimeter-Solutions.com

UNITED STATES

10667 Jersey Blvd.
Rancho Cucamonga, CA 91730
Tel: +1 800 682 3626
Tel: +1 909 983 0772
salesfoamusa@perimeter-solutions.com

EMEA

Polígono Industrial de Baiña, Parcela 23
33682 Baiña-Mieres (Asturias) – Spain
Tel: +34 985 24 29 45
salesfoamemea@perimeter-solutions.com

ASIA PACIFIC

3 Charles Street
St Marys NSW 2760 – Australia
Tel: +61 2 9673 5300
salesfoamapac@perimeter-solutions.com

perimeter-solutions.com

NOTICE PERIMETER SOLUTIONS MAKES NO REPRESENTATIONS OR WARRANTIES AS TO THE COMPLETENESS OR ACCURACY OF THE INFORMATION INCLUDED HEREIN. THE INFORMATION CONTAINED HEREIN IS NOT INTENDED TO PROVIDE REGULATORY, LEGAL OR EXPERT ADVICE RELATING TO THE PRODUCTS, ITS APPLICATION OR USES. NOTHING CONTAINED HEREIN IS TO BE CONSTRUED AS A RECOMMENDATION TO USE ANY PRODUCT, PROCESS, EQUIPMENT OR FORMULATION IN CONFLICT WITH ANY INDUSTRIAL PROPERTY OR INTELLECTUAL PROPERTY RIGHTS, AND PERIMETER SOLUTIONS MAKES NO REPRESENTATION OR WARRANTY, EXPRESS OR IMPLIED, THAT THE USE THEREOF WILL NOT INFRINGE ON ANY INDUSTRIAL PROPERTY OR INTELLECTUAL PROPERTY RIGHTS. NO REPRESENTATIONS OR WARRANTIES, EITHER EXPRESSED OR IMPLIED, OF MERCHANTABILITY, FITNESS FOR A PARTICULAR PURPOSE OR OF ANY OTHER NATURE ARE MADE HEREUNDER WITH RESPECT TO THE INFORMATION CONTAINED HEREIN.